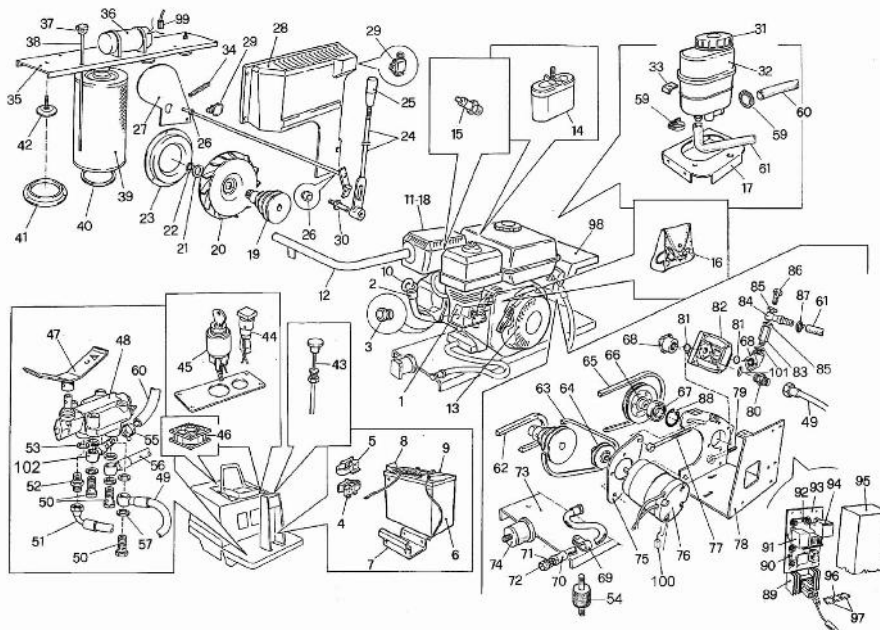


Exploded drawing E0021A004/01

by LAVORWASH



LAVORWASH
SERVICE

PARTS LIST

Code R0021A004-1
Description MOTORE ENDOTERMICO -
VENTOLA ASP. E FILTRI BSW 1000

Start Date 1/1/2001
End Date 1/1/3000
Table E0021A004-01

Pos.	Code	Price	Q.ty per pck.	Qty.	Description	Alternative	Price	G	p
001	0.915.0599	1580	1	1	MOTORE 2710960		0	0	0
002	0.915.0463	0	1	1	TUBO LIVELLO OLIO 2706368		0	0	0
003	0.915.0169	0	1	1	ANELLO 1202310		0	0	0
004	0.915.0261	10.8	2	1	BATTERY TERMINAL +		0	0	0
005	0.915.0262	10.8	2	1	BATTERY TERMINAL -		0	0	0
006	0.915.0232	499.2	1	1	BATTERY	0.112.0049	40.32	1	0
007	0.915.0568	0	1	1	SUPPORT		0	0	0
008	0.915.0248	4.25	5	1	COPRIMORSETTO - 1305198		0	0	0
009	0.915.0247	4.25	5	1	COPRIMORSETTO + 1305197		0	0	0
010	0.915.0242	0	1	1	ASTA LIVELLO OLIO 1305061		0	0	0
012	0.915.0594	0	1	1	TUBO DI SCARICO 2710231		0	0	0
013	0.915.0253	0	1	1	RIAVVOLGITORE 1305465		0	0	0
014	0.915.0244	82.35	1	1	FILTRO ARIA 1305129		0	0	0
015	0.915.0245	25.4	1	1	SPARK PLUG		0	0	0
016	0.915.0275	291.05	1	1	GASKET SET		0	0	0
017	0.915.0615	0	1	1	SUPPORTO 2710517		0	0	0
018	0.915.0265	0	1	1	GUARNIZIONE 1306114		0	0	0
019	0.915.0623	0	1	1	PULLEY		0	0	0
020	0.915.0266	69.95	1	1	SUCTION FAN 1306404		0	0	0
021	0.915.0085	2.5	10	1	WASHER D. 25 1100265		0	0	0

PARTS LIST

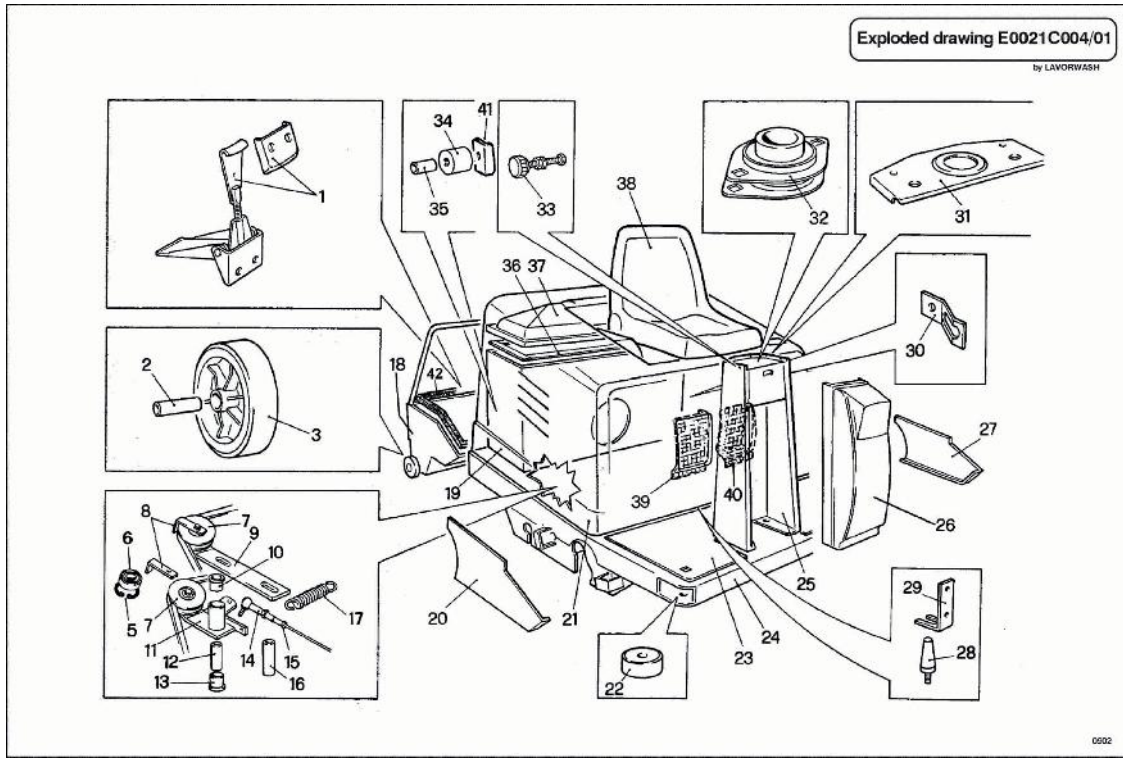
Code R0021A004-1 Start Date 1/1/2001
 Description MOTORE ENDOTERMICO - End Date 1/1/3000
 VENTOLA ASP. E FILTRI BSW 1000 Table E0021A004-01

Pos.	Code	Price	Q.ty per pck.	Qty.	Description	Alternative	Price	Q. p
022	0.915.0086	7.5	3	1	BUSH 1100266		0	0
023	0.915.0401	44	1	1	CONVEYOR		0	0
024	0.915.0583	43.9	1	1	LEVA 2710148		0	0
025	0.915.0368	9.9	3	1	MANOPOLA 1502110		0	0
026	0.915.0343	4.25	5	2	BUSHING 1405821		0	0
027	0.915.0560	45.8	1	1	VACUUM CUT-OFF		0	0
028	0.915.0404	155.95	1	1	CONVOGLIATORE 1508167		0	0
029	0.915.0032	64.05	1	2	DEVIATORE 1304366		0	0
030	0.915.0582	25.4	1	1	PERNO 2710147		0	0
031	0.915.0416	0	1	1	CAP		0	0
032	0.915.0303	0	1	1	SERBATOIO OLIO 1308822		0	0
033	0.915.0619	0	1	2	SMALL PLATE		0	0
034	0.915.0326	10.3	3	1	SPRING 1400976		0	0
035	0.915.0573	95.2	1	1	HOLDER 2710025		0	0
036	0.915.0047	652.45	1	1	SCUOTITORE BSW 1000ST 12V 90W1308210		0	0
037	0.915.0361	12.6	2	4	VOLANTINO 1500056		0	0
038	0.915.0460	25.4	1	4	TIRANTE 2705719		0	0
039	0.915.0012	49.5	1	4	CARTRIDGE PAPER FILTER BSW 1000ET/ST		0	0
039	0.915.0013	126.9	1	4	CARTRIDGE POLYESTER FILTER BSW1000ET/ST		0	0
040	0.915.0157	25.4	1	4	DUST PROOFING RING		0	0
041	0.915.0408	32.65	1	2	RING 1508328		0	0
042	0.915.0574	29.4	1	4	COPERCHIETTO 2710026		0	0
043	0.915.0330	0	1	1	CAVO STARTER 1401843		0	0
044	0.915.0228	0	1	1	SPIA BATTERIA 1302049		0	0
045	0.915.0233	128.35	1	1	INTERRUTTORE AVVIAMENTO 1303111		0	0
046	0.915.0031	0	1	1	ELECTRIC FAN		0	0
047	0.915.0554	0	1	1	PEDALE 2709695		0	0
048	0.915.0279	548.6	1	1	DISTRIBUTORE 1307965		0	0
049	0.915.0211	0	1	1	TUBO 1208124		0	0
050	0.915.0117	0	1	3	VITE FORATA 1101233		0	0
051	0.915.0167	0	1	1	TUBO 1201890		0	0
052	0.915.0328	0	1	1	NIPPLO 1401235		0	0
054	0.915.0215	0	1	4	VIBRATION DAMPER		0	0
056	0.915.0210	0	1	1	TUBO 1208123		0	0
057	0.915.0122	0	1	1	GASKET		0	0
059	0.915.0130	0	1	2	FASCETTA 1102669		0	0
060	0.915.0219	0	1	1.4	TUBO 1208823		0	0
061	0.915.0184	0	1	1	PIPE		0	0
062	0.915.0208	31.7	1	1	BELT 1208023		0	0
063	0.915.0193	25.4	1	1	BELT 1206521		0	0
064	0.915.0621	96.35	1	1	PULLEY		0	0
065	0.915.0186	29.95	1	1	BELT 1206066		0	0
066	0.915.0575	100.5	1	1	PULEGGIA 2710031		0	0

PARTS LIST

Code R0021A004-1 Start Date 1/1/2001
 Description MOTORE ENDOTERMICO - End Date 1/1/3000
 VENTOLA ASP. E FILTRI BSW 1000 Table E0021A004-01

Pos.	Code	Price	Q.ty per pck.	Qty.	Description	Alternative	Price	Q. p
067	0.915.0335	25.4	1	1	CUSCINETTO 1404112		0	0
068	0.915.0329	0	1	2	FLANGIA 1401261		0	0
069	0.915.0113	0	1	1	CLAMP		0	0
070	0.915.0046	91.4	1	1	PIPE		0	0
071	0.915.0092	0	1	2	GASKET		0	0
072	0.915.0115	0	1	1	PLUG		0	0
073	0.915.0548	0	1	1	SUPPORT		0	0
074	0.915.0188	0	1	1	VIBRATION DAMPER		0	0
075	0.915.0620	0	1	1	SUPPORT		0	0
076	0.915.0251	503.2	1	1	ELECTRIC MOTOR 1305253		0	0
077	0.915.0151	0	1	1	TIE-ROD EYE		0	0
078	0.915.0601	0	1	1	SUPPORTO 2710283		0	0
079	0.915.0153	0	1	1	SCREW EYE		0	0
081	0.915.0164	0	1	2	OR 1201464		0	0
082	0.915.0285	512.45	1	1	POMPA INGRANAGGI 1309438		0	0
083	0.915.0337	0	1	1	COLONNETTA 1404495		0	0
084	0.915.0622	0	1	1	OCCHIO PORTAGOMMA 2710669		0	0
085	0.915.0116	0	1	2	GUARNIZIONE 1101225		0	0
088	0.915.0133	0	1	1	ANELLO D'ARRESTO 1102977		0	0
089	0.915.0307	43.6	1	1	DIODE		0	0
090	0.915.0234	12.7	2	1	FUSE		0	0
091	0.915.0286	103.75	1	1	STARTING RELAY		0	0
092	0.915.0243	12.7	2	1	FUSE		0	0
093	0.915.0308	640.4	1	1	ELECTRIC BOARD		0	0
094	0.915.0271	0	1	1	SHAKER RELAY		0	0
095	0.915.0418	0	1	1	COPERCHIO 1509006		0	0
096	0.915.0019	4.05	6	1	FUSE		0	0
097	0.915.0020	12.7	2	2	FUSE		0	0
098	0.915.0417	0	1	1	COVER		0	0
099	0.915.0226	25.4	1	1	KIT BRUSHES FOR ELECTRIC MOTOR		0	0
100	0.915.0257	130.05	1	1	CARBONS(4PCS)1305481		0	0



PARTS LIST

Code R0021C004-1
Description SCOCCA BSW 1000 ST

Start Date 1/1/2001
End Date 1/1/3000
Table E0021C004-01

Pos.	Code	Price	Q.ty per pck.	Qty.	Description	Alternative	Price	G	p
001	0.915.0311	25.4	1	1	CHIUSURA A LEVA 1400039		0	0	0
002	0.915.0455	14.15	2	2	SPACER 2703310		0	0	0
003	0.915.0192	5.25	4	2	WHEEL 1206475		0	0	0
005	0.915.0087	0	1	2	SEEGER		0	0	0
006	0.915.0325	25.4	1	2	BUSHING		0	0	0
007	0.915.0504	32.65	1	2	PULLEY 2707996		0	0	0
008	0.915.0630	0	1	2	SMALL PLATE		0	0	0
009	0.915.0631	0	1	1	BELT TIGHTENER		0	0	0
010	0.915.0632	0	1	1	BUSH		0	0	0
011	0.915.0633	0	1	1	BELT TIGHTENER		0	0	0
012	0.915.0634	0	1	1	SPACER		0	0	0
014	0.915.0318	8.75	3	1	ARTICULATION		0	0	0
015	0.915.0358	25.4	1	1	FLEXIBLE CABLE		0	0	0
016	0.915.0635	0	1	1	SPACER		0	0	0
017	0.915.0326	10.3	3	1	SPRING 1400976		0	0	0
018	0.915.0572	253.5	1	1	CASSETTO RIFIUTI 2710003N		0	0	0
019	0.915.0567	293.65	1	1	CASSA FILTRI 2709990N		0	0	0
020	0.915.0556	40.95	1	1	RIGHT COVER 2709810N		0	0	0
021	0.915.0402	1465.85	1	1	COVER 1508097G		0	0	0
022	0.915.0604	28.7	1	2	ROLLER		0	0	0

PARTS LIST

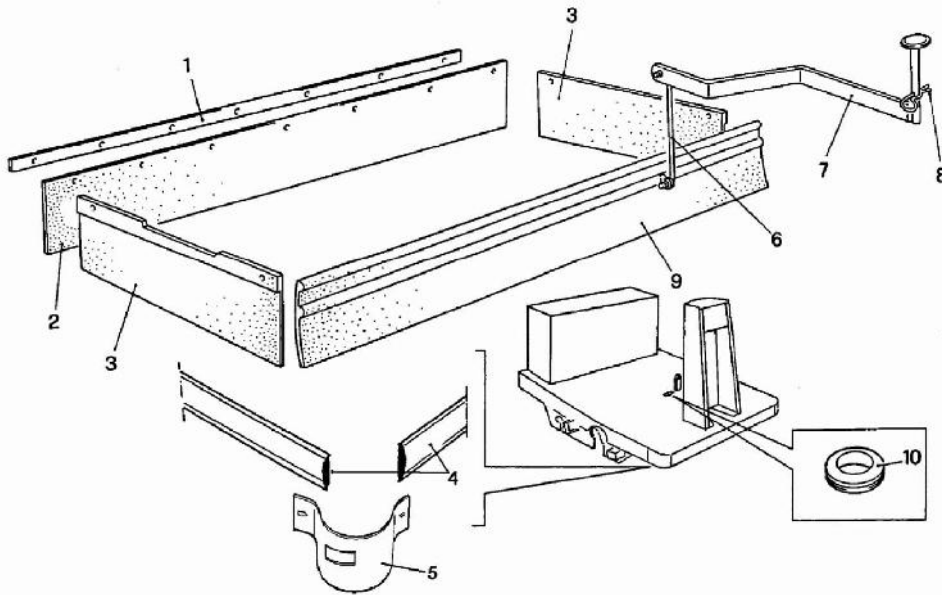
Code R0021C004-1
Description SCOCCA BSW 1000 ST

Start Date 1/1/2001
End Date 1/1/3000
Table E0021C004-01

Pos.	Code	Price	Q.ty per pck.	Qty.	Description	Alternative	Price	Q. p
023	0.915.0636	0	1	1	DISTANZIALE 1508207		0	0
024	0.915.0553	1141.05	1	1	TELAIO 2709691N		0	0
025	0.915.0569	306.65	1	1	SUPPORT		0	0
026	0.915.0410	273.3	1	1	FRONT COVER		0	0
027	0.915.0557	40.95	1	1	LEFT COVER 2709811N		0	0
028	0.915.0509	13.25	2	1	PERNO 2708058		0	0
029	0.915.0586	12.85	2	1	PIASTRINO 2710175		0	0
030	0.915.0580	25.4	1	2	PIASTRINO 2710145		0	0
031	0.915.0409	33	1	1	DASHBOARD		0	0
032	0.915.0316	25.4	1	1	HOLDER 1400320		0	0
033	0.915.0411	4.5	5	2	KNOB 1508408		0	0
034	0.915.0578	25.4	1	2	SPACER 2710143		0	0
035	0.915.0579	8.6	3	2	BUSHING 2710144		0	0
036	0.915.0212	25.4	1	2.1	NASTRO MAGNETICO 1208125		0	0
037	0.915.0400	0	1	1	COPERCHIO FILTRI 1507977		0	0
038	0.915.0278	204.45	1	1	SEAT		0	0
039	0.915.0595	43.25	1	1	PROTEZIONE DESTRA 2710242		0	0
040	0.915.0596	42.2	1	1	PROTEZIONE SINISTRA 2710243		0	0
041	0.915.0593	25.4	1	2	RINFORZO 2710230		0	0
042	0.915.0194	4.5	5	2.4	RUBBER STRIP 5X20 1206564		0	0

Exploded drawing E0021G002/01

by LAVORWASH



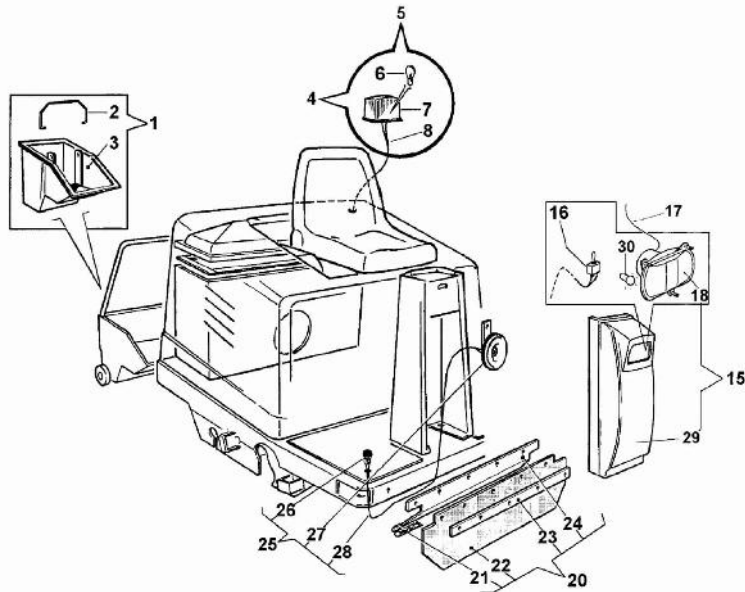
LAVORWASH
SERVICE

PARTS LIST

Code R0021G002-1
Description GOMME PARAPOLVERE BSW 1000
ST

Start Date 1/1/2001
End Date 1/1/3000
Table E0021G002-01

Pos.	Code	Price	Q.ty per pck.	Qty.	Description	Alternative	Price	G	p
------	------	-------	---------------	------	-------------	-------------	-------	---	---



LAVORWASH
SERVICE

PARTS LIST

Code R0021O002-1
Description OPTIONAL BSW 1000 ST

Start Date 1/1/2001
End Date 1/1/3000
Table E0021O002-01

Pos.	Code	Price	Q.ty per pck.	Qty.	Description	Alternative	Price	G p
001	0.915.0016	418.75	1	1	GARBAGE COLLECTOR DRAWER BSW 1000ET/ST		0	0
002	0.915.0598	0	1	2	HANDLE 2710253		0	0
003	0.915.0414	0	1	2	SECCHIELLO 1508433		0	0
004	0.915.0612	0	1	1	ASSIEME LAMPADA DI EMERGENZA 2710453		0	0
005	0.915.0616	0	1	1	ASS. LAMPADA DI EMERGENZA CON2710520		0	0
006	0.915.0237	25.4	1	1	BULB		0	0
007	0.915.0292	266.5	1	1	LAMPADA DI EMERGENZA 1308599		0	0
007	0.915.0300	202.65	1	1	EMERGENCY FLASHER		0	0
008	0.915.0295	0	1	1	CABLAGGIO PER LAMPADA DI EMERG1308725		0	0
008	0.915.0301	0	1	1	CABLAGGIO PER LAMP.EMERG CONBU1308793		0	0
015	0.915.0607	0	1	1	ASSIEME FANALE ANTERIORE 2710324		0	0
016	0.915.0249	31.8	1	1	SWITCH 1305207		0	0
017	0.915.0608	0	1	1	CABLAGGIO ELETTRICO 2710325		0	0
018	0.915.0260	0	1	1	FANALE ANTERIORE 1305673		0	0
020	0.915.0015	418.75	1	1	COMPLETE DUST CONVEYOR BSW 1000ET/ST		0	0
021	0.915.0175	50	1	0.82	RUBBER STRIP 1204640		0	0
022	0.915.0217	234.4	1	1	RUBBER DUST		0	0
023	0.915.0587	0	1	1	LISTELLO 2710187		0	0
024	0.915.0588	0	1	1	LISTELLO 2710188		0	0
025	0.915.0613	0	1	1	ASSIEME CLACSON 2710455		0	0

PARTS LIST

Code R0021O002-1

Start Date 1/1/2001

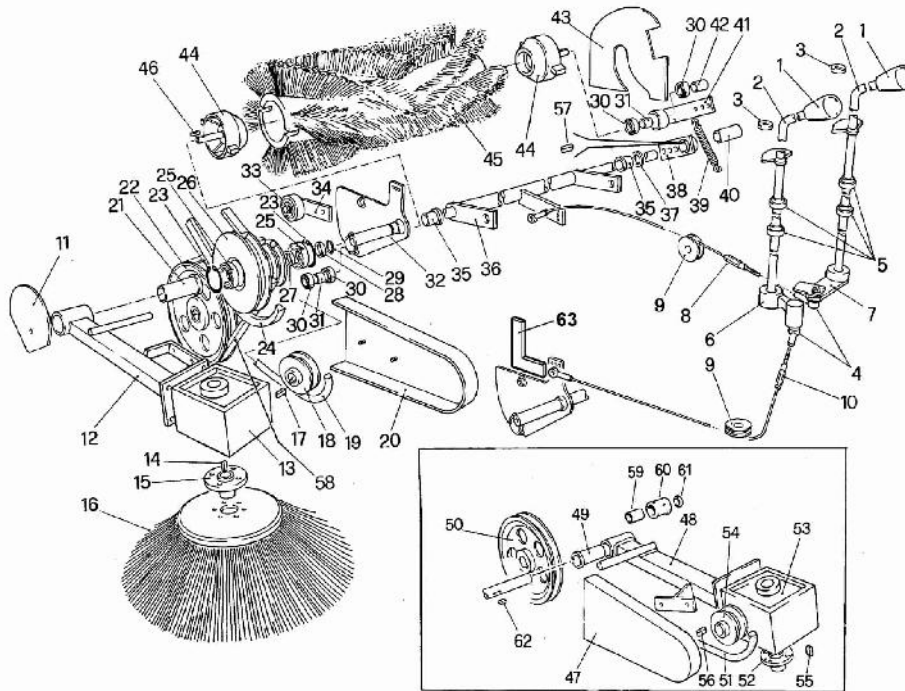
Description OPTIONAL BSW 1000 ST

End Date 1/1/3000

Table E0021O002-01

Pos.	Code	Price	Q.ty per pck.	Qty.	Description	Alternative	Price	Q
026	0.915.0250	87.55	1	1	SWITCH		0	0
027	0.915.0246	0	1	1	CLACSON 1305143		0	0
028	0.915.0296	0	1	1	CABLAGGIO ELETTRICO 1308727		0	0
029	0.915.0415	149.45	1	1	FRONTALE 1508486G		0	0
030	0.915.0227	0	1	1	LAMPADINA 1301380		0	0

023	0.915.0636	0	1	1	DISTANZIALE 1508207		0	0
024	0.915.0553	1141.05	1	1	TELAIO 2709691N		0	0
025	0.915.0569	306.65	1	1	SUPPORT		0	0
026	0.915.0410	273.3	1	1	FRONT COVER		0	0
027	0.915.0557	40.95	1	1	LEFT COVER 2709811N		0	0
028	0.915.0509	13.25	2	1	PERNO 2708058		0	0
029	0.915.0586	12.85	2	1	PIASTRINO 2710175		0	0
030	0.915.0580	25.4	1	2	PIASTRINO 2710145		0	0
031	0.915.0409	33	1	1	DASHBOARD		0	0
032	0.915.0316	25.4	1	1	HOLDER 1400320		0	0
033	0.915.0411	4.5	5	2	KNOB 1508408		0	0
034	0.915.0578	25.4	1	2	SPACER 2710143		0	0
035	0.915.0579	8.6	3	2	BUSHING 2710144		0	0
036	0.915.0212	25.4	1	2.1	NASTRO MAGNETICO 1208125		0	0
037	0.915.0400	0	1	1	COPERCHIO FILTRI 1507977		0	0
038	0.915.0278	204.45	1	1	SEAT		0	0
039	0.915.0595	43.25	1	1	PROTEZIONE DESTRA 2710242		0	0
040	0.915.0596	42.2	1	1	PROTEZIONE SINISTRA 2710243		0	0
041	0.915.0593	25.4	1	2	RINFORZO 2710230		0	0
042	0.915.0194	4.5	5	2.4	RUBBER STRIP 5X20 1206564		0	0



LAVORWASH
SERVICE

PARTS LIST

Code R0021S003-1
Description SPAZZOLA CENTRALE E LATERALI
BSW 1000 ST

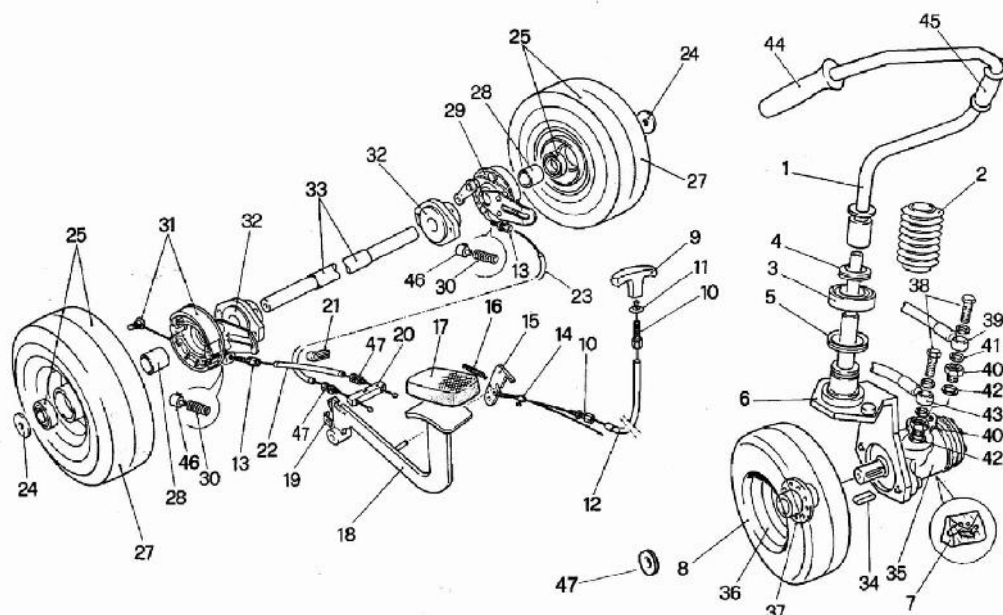
Start Date 1/1/2001
End Date 1/1/3000
Table E0021S003/01

Pos.	Code	Price	Q.ty per pck.	Qty.	Description	Alternative	Price	G	p
001	0.915.0381	11.2	2	2	KNOB 1505661		0	0	0
002	0.915.0585	41.05	1	2	LEVER 2710156		0	0	0
003	0.915.0407	2.5	9	2	RONDELLA 1508264		0	0	0
004	0.915.0318	8.75	3	2	ARTICULATION		0	0	0
005	0.915.0355	25.4	1	4	ARTICULATION		0	0	0
006	0.915.0547	102.75	1	1	LEVER		0	0	0
007	0.915.0546	79.15	1	1	LEVER		0	0	0
008	0.915.0358	25.4	1	1	FLEXIBLE CABLE		0	0	0
009	0.915.0490	0	1	2	PULLEY		0	0	0
010	0.915.0357	25.4	1	1	CAVO FLESSIBILE 1408208		0	0	0
011	0.915.0562	9.8	3	1	SMALL PLATE		0	0	0
012	0.915.0536	91.7	1	1	SUPPORTO 2709665		0	0	0
013	0.915.0033	275.8	1	1	REDUCTION GEAR 1400523		0	0	0
015	0.915.0366	25.4	1	1	HUB 1500388		0	0	0
016	0.915.0003	34.3	1	1	PPL SIDE BRUSH		0	0	0
019	0.915.0038	68.1	1	1	BELT 1208022		0	0	0
020	0.915.0372	53.5	1	1	CARTER 1504189		0	0	0
022	0.915.0543	39.3	1	1	PULLEY		0	0	0
023	0.915.0105	0	1	2	STOP RING		0	0	0
024	0.915.0208	31.7	1	1	BELT 1208023		0	0	0

PARTS LIST

Code R0021S003-1 Start Date 1/1/2001
 Description SPAZZOLA CENTRALE E LATERALI End Date 1/1/3000
 BSW 1000 ST Table E0021S003/01

Pos.	Code	Price	Q.ty per pck.	Qty.	Description	Alternative	Price	Q
025	0.915.0320	13.5	2	2	BEARING		0	0
026	0.915.0544	59.4	1	1	PULLEY		0	0
027	0.915.0563	6.95	3	1	SPACER		0	0
028	0.915.0561	5.55	4	1	SPACER		0	0
029	0.915.0152	0	1	1	RING		0	0
030	0.915.0313	25.4	1	4	BEARING		0	0
031	0.915.0437	7.7	3	2	SPACER		0	0
032	0.915.0538	160.85	1	1	SUPPORT		0	0
033	0.915.0323	25.4	1	1	BEARING		0	0
034	0.915.0555	33.35	1	1	BELT TIGHTENER		0	0
035	0.915.0367	6.15	4	2	BUSH		0	0
036	0.915.0051	136.85	1	1	AXLE		0	0
038	0.915.0519	59	1	1	SUPPORT		0	0
039	0.915.0312	32	1	1	SPRING		0	0
040	0.915.0542	8.9	3	1	SPACER		0	0
041	0.915.0541	48.75	1	1	SUPPORT		0	0
042	0.915.0577	12.1	2	1	SPACER		0	0
043	0.915.0559	25.4	1	1	COVER		0	0
044	0.915.0462	93.1	1	2	ROLL		0	0
045	0.915.0017	241.1	1	1	NYLON MAIN BRUSH FOR BSW 1000ET/ST		0	0
045	0.915.0630	053.25	1	1	SPAZZOLA CENTRALE IN PPL 1504151		0	0
045	0.915.0533	160.305	1	1	NYLON MAIN BRUSH		0	0
045	0.915.0500	306.65	1	1	SUPPORT 508255		0	0
046	0.915.0530	073.3	1	1	BERNO 2709666		0	0
047	0.915.0500	20.05	1	1	BUSHCOVER 2709811N		0	0
048	0.915.0600	65.25	2	1	BERNO 2708058		0	0
049	0.915.0500	22.85	2	1	PLASTERINO 2709175		0	0
050	0.915.0500	22.7	2	2	RASTRO 27100331		0	0
056	0.915.0400	33	6	1	BASEBOARD 1102274		0	0
057	0.915.0090	254	8	1	KEYLDER 1400320		0	0
058	0.915.0041	4645	5	2	ROB 1208408		0	0
059	0.915.0570	05.4	1	2	SPAZZOLA 2708065		0	0
066	0.915.0500	0.6	3	2	BUSH 2709444	6.605.0091	028.05	0
066	0.915.0262	22.85	2	2.1	ROSDERMA 2705860 1208125		0	0
067	0.915.0400	0.5	9	1	SPERCHIO FILTRI 1507977		0	0
068	0.915.0070	004.45	1	1	SEAL PLATE		0	0
039	0.915.0595	43.25	1	1	PROTEZIONE DESTRA 2710242		0	0
040	0.915.0596	42.2	1	1	PROTEZIONE SINISTRA 2710243		0	0
041	0.915.0593	25.4	1	2	RINFORZO 2710230		0	0
042	0.915.0194	4.5	5	2.4	RUBBER STRIP 5X20 1206564		0	0



LAVORWASH
SERVICE

PARTS LIST

Code R0021T004-1
Description STERZO - RUOTE - FRENI BSW 1000
ST

Start Date 1/1/2001
End Date 1/1/3000
Table E0021T004-01

Pos.	Code	Price	Q.ty per pck.	Qty.	Description	Alternative	Price	G	p
001	0.915.0627	0	1	1	MANUBRIO 2711271		0	0	0
002	0.915.0413	4.65	5	1	SOFFIETTO 1508416		0	0	0
003	0.915.0354	51.45	1	1	BEARING		0	0	0
004	0.915.0203	7.4	3	1	V-RING		0	0	0
005	0.915.0204	6.15	4	1	V-RING		0	0	0
006	0.915.0571	0	1	1	SUPPORTO 2710001		0	0	0
007	0.915.0277	0	1	1	SERIE GUARNIZIONI 1307770		0	0	0
008	0.915.0195	281.45	1	1	RUBBER WHEEL		0	0	0
009	0.915.0374	13.85	2	1	HANDLE		0	0	0
010	0.915.0137	6.15	4	2	ADJUSTING		0	0	0
011	0.915.0394	2.55	9	1	WASHER		0	0	0
012	0.915.0336	6.85	4	1	FLEXIBLE CABLE		0	0	0
014	0.915.0036	8.6	3	1	CABLE HOLDER 1100362		0	0	0
015	0.915.0453	25.4	1	1	PIASTRINO 2702822		0	0	0
016	0.915.0321	8.35	3	1	SPRING		0	0	0
017	0.915.0196	9.15	3	1	PEDAL COVER		0	0	0
018	0.915.0452	152.75	1	1	BRAKE PEDAL		0	0	0
019	0.915.0454	25.4	1	1	SMALL PLATE		0	0	0
020	0.915.0451	44.4	1	1	TIE-ROD		0	0	0

PARTS LIST

Code R0021T004-1 Start Date 1/1/2001
 Description STERZO - RUOTE - FRENI BSW 1000 End Date 1/1/3000
 ST Table E0021T004-01

Pos.	Code	Price	Q.ty per pck.	Qty.	Description	Alternative	Price	Q
021	0.915.0096	3.5	6	2	CLAMP		0	0
022	0.915.0353	6.6	4	1	CAVO FLESSIBILE 1407922		0	0
023	0.915.0356	8.35	3	1	CAVO FLESSIBILE 1408051		0	0
024	0.915.0448	5.4	4	2	WASHER		0	0
025	0.915.0202	538.35	1	2	REAR WHEEL KIT		0	0
028	0.915.0535	0	1	2	SPACER		0	0
029	0.915.0352	0	1	1	LEFT SUPPORT		0	0
030	0.915.0359	3.85	6	2	SPRING		0	0
031	0.915.0351	0	1	1	RIGHT SUPPORT		0	0
032	0.915.0558	0	1	2	FLANGE		0	0
033	0.915.0549	105.1	1	1	AXLE		0	0
034	0.915.0135	0	1	1	KEY		0	0
035	0.915.0276	1463.75	1	1	MOTORE IDRAULICO 1307714		0	0
036	0.915.0048	107.4	1	2	SEMI-DISK		0	0
037	0.915.0505	0	1	1	HUB		0	0
038	0.915.0117	0	1	2	VITE FORATA 1101233		0	0
039	0.915.0210	0	1	1	TUBO 1208123		0	0
040	0.915.0331	0	1	2	RACCORDO 1402167		0	0
041	0.915.0116	0	1	4	GUARNIZIONE 1101225		0	0
042	0.915.0118	0	1	2	GASKET		0	0
023	0.915.0688	0	1	1	DISTRIBUZIONE 1508207		0	0
024	0.915.0289	2541.05	1	1	MANOPOLA 096208050		0	0
026	0.915.0689	90665	3	2	SUBPOLDER 1100346		0	0
027	0.915.0410	8753	4	2	CRONE REVERSER 1101447		0	0
028	0.915.0567	40.95	2	1	RONDELLA E2708851N		0	0
028	0.915.0509	13.25	2	1	PERNO 2708058		0	0
029	0.915.0586	12.85	2	1	PIASTRINO 2710175		0	0
030	0.915.0580	25.4	1	2	PIASTRINO 2710145		0	0
031	0.915.0409	33	1	1	DASHBOARD		0	0
032	0.915.0316	25.4	1	1	HOLDER 1400320		0	0
033	0.915.0411	4.5	5	2	KNOB 1508408		0	0
034	0.915.0578	25.4	1	2	SPACER 2710143		0	0
035	0.915.0579	8.6	3	2	BUSHING 2710144		0	0
036	0.915.0212	25.4	1	2.1	NASTRO MAGNETICO 1208125		0	0
037	0.915.0400	0	1	1	COPERCHIO FILTRI 1507977		0	0
038	0.915.0278	204.45	1	1	SEAT		0	0
039	0.915.0595	43.25	1	1	PROTEZIONE DESTRA 2710242		0	0
040	0.915.0596	42.2	1	1	PROTEZIONE SINISTRA 2710243		0	0
041	0.915.0593	25.4	1	2	RINFORZO 2710230		0	0
042	0.915.0194	4.5	5	2.4	RUBBER STRIP 5X20 1206564		0	0