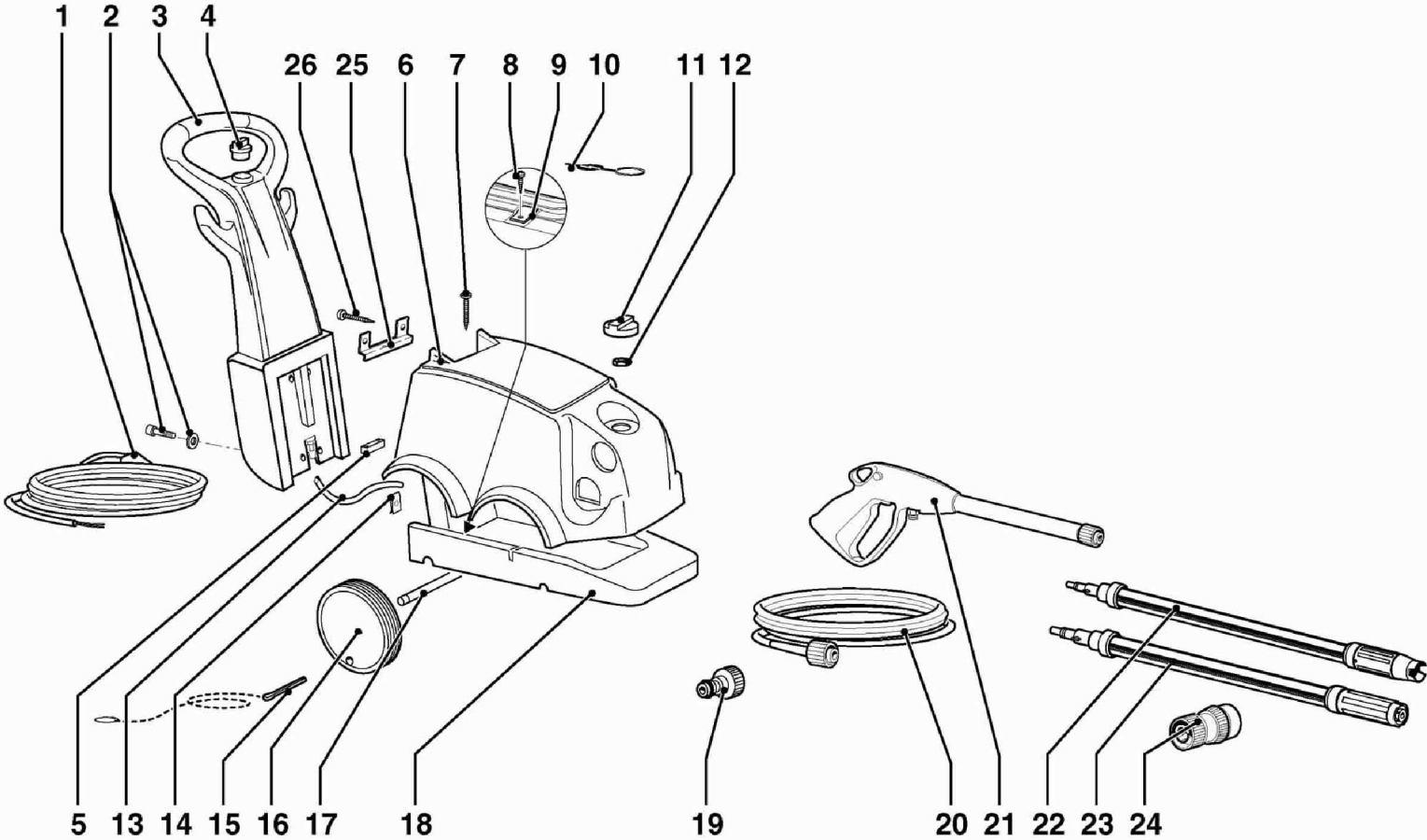


Exploded drawing E8016C001/01

by LAVORWASH



0298



PARTS LIST

Code R80160503-3 Start Date 1/1/1999
 Description IDRO LS21 230/50 + ROTOX -G- End Date 1/1/3000
 (LWS) Table E8016C001/01

Pos.	Code	Price	Q.ty per pck.	Qty.	Description	Alternative	Price	Q.ty per pck.	Description
001	4.012.0071	18.17	2	1	CABLE H05RN-F 3X1 MT.5	4.012.0149	22.49	1	CABLE H05VV-F 3X1 SCHUKO PLUGMT.5,4 F/F rev
002	5.012.0010	7.59	3	1	UNIVERSAL CART SCREW		0	0	
003	4.008.0213	47	1	1	TANK HANDLE	4.008.0625	39.04	1	HANDLE FOR ACCESSORIES HOLDERWITH
004	4.608.0027	7.55	3	1	BLACK PLUG D.30 FOR TANK		0	0	
005	4.008.0277	1.14	18	1	FIX PAD CABLE HOLDER		0	0	
006	4.013.0215	25.91	1	1	UPPER HOUSING IDRO LS-21 -G-		0	0	
007	3.002.0112	0.05	400	2	CROSS HEAD -TORX SCREW 3,9x25HI-LO ZNT		0	0	
009	4.007.0106	3.98	6	2	FIXING BRACKET '93		0	0	
010	4.007.0114	1.04	20	1	NOZZLE CLEANING PIN	4.007.0449	1.07	19	NOZZLE CLEANING PIN
011	4.008.0041	3.16	8	1	PRESSURE REGULATOR KNOB BEST BLACK	4.008.0819	1.65	13	SQUEEGEE PRESSURE ADJUSTER KNOB
012	4.006.0176	2.61	8	1	BLOCKING COVER BUSH LW-LS21		0	0	
013	4.008.0187	4.17	5	1	TRANSPARENT HOSE D.6X9 L.640		0	0	
014	3.099.0075	1.12	18	4	SCREW HOLDER TE M6		0	0	
015	5.011.0025	9.77	3	1	COMPLETE BRAKE PIVOT FOR JET FIRE T VV		0	0	
016	4.008.0184	1.82	11	4	WHEEL D.150X30X15		0	0	
017	4.007.0105	4.4	5	2	TANKER AXE		0	0	
018	4.008.0185	0	1	1	UNIFIED TROLLEY	4.008.0295	44.67	1	NYLON UNIFIED TROLLEY
019	3.100.0005	3.03	8	1	QUICK COUPLING INLET CONNECTOR	3.100.0082	1.14	18	QUICK COUPLING INLET CONNECTOR
020	4.018.0028	35.9	1	1	HOSE 1/4 140BAR L.8000 1/4F-GIR.M22X1,5 D.15	4.018.0061	32.78	1	HIGH PRESSURE HOSE 1/4 160BARL=8000
021	6.001.0028	36.26	1	1	GUN S'99	6.001.0046	23	1	HP SPRAY GUN S'01
022	6.002.0191	18.21	2	1	1.10 S'99 HIGH LOW PRESS. ADJUSTABLE LANCE (GREEN)	6.002.0191C	19.14	1	LANCE S'99 1,10 HIGH/LOW (GREEN) L=47cm
023	6.002.0146	23.96	1	1	ROTOX LANCE S'97 D.1.10 GREEN	6.002.0233	16.31	2	ROTOX LANCE S97 1.10 GREEN PLASTIC