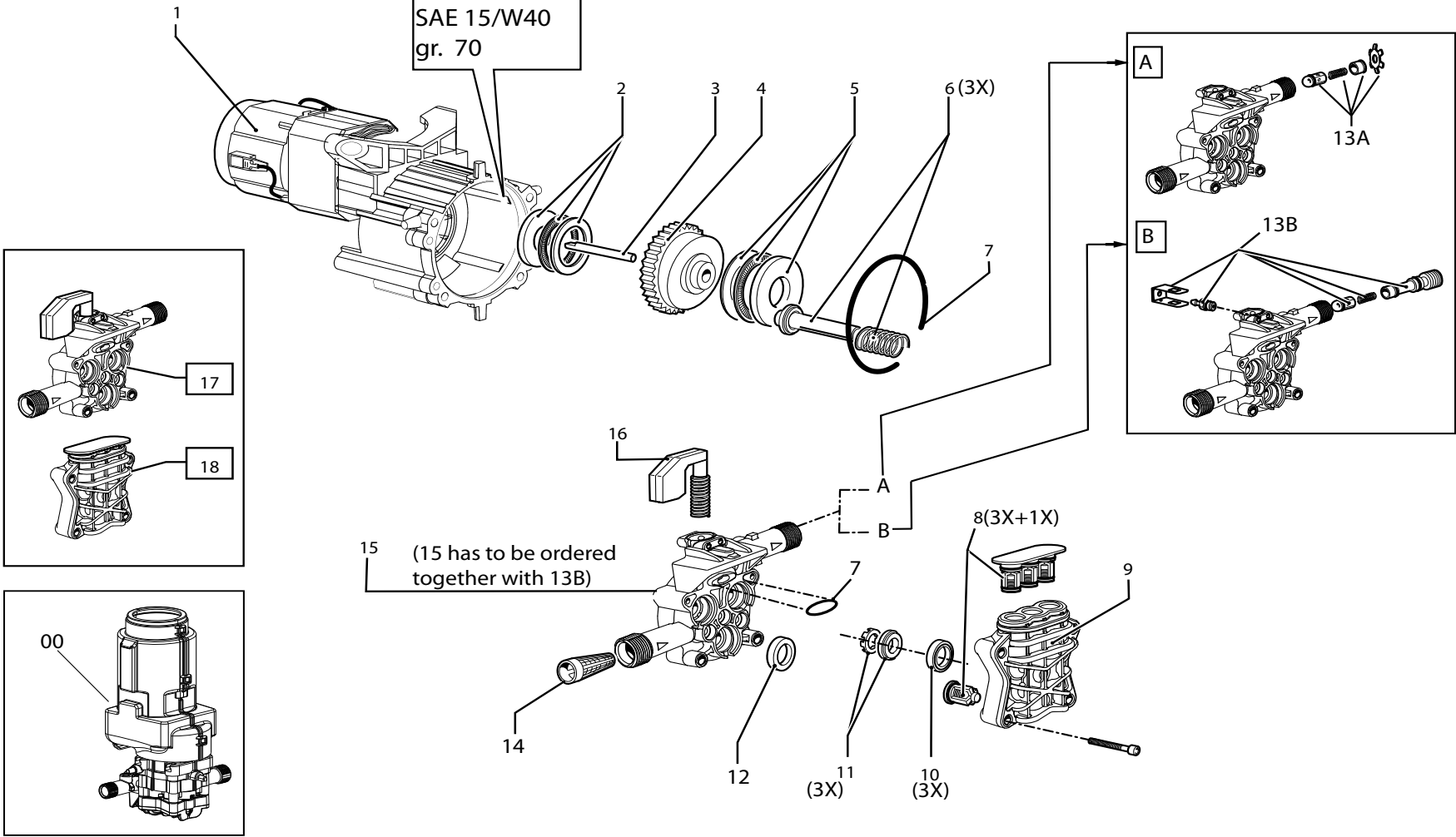


OIL:  
SAE 15/W40  
gr. 70



# LISTA RICAMBI

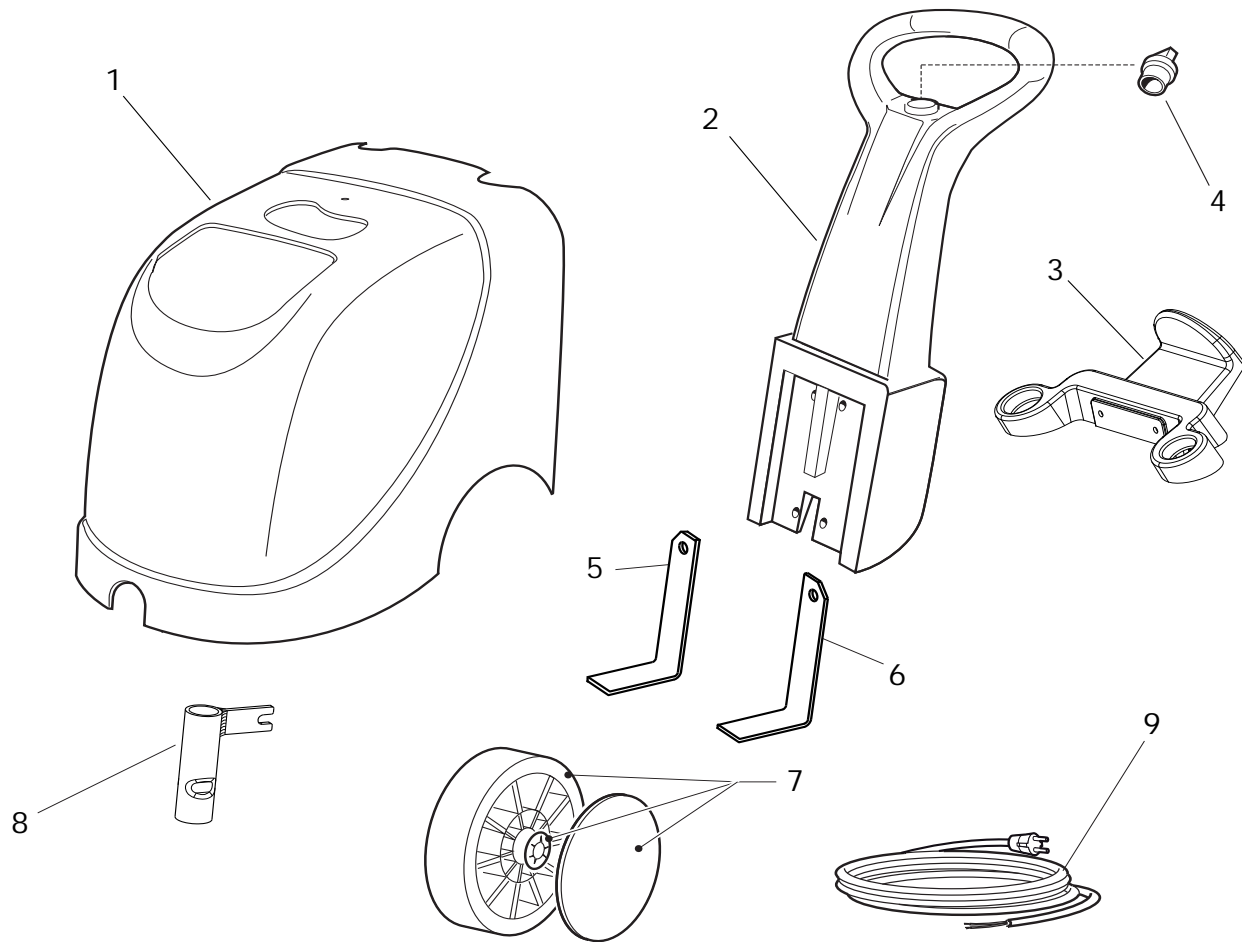
CODICE: 8.052.0821 REV.: 1 DESCRIZIONE: IDRO FIRE 1007 230/50 TS -G- LWS








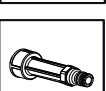
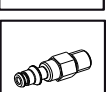
DATA INIZIO VAL.: 03/18/2009 DATA FINE VAL.: 01/01/3000

CODICE GRUPPO: R5001Z644C REV.: 1 DESCRIZIONE: MOTORPUMP PT'03 230/50 TS 5'30 SPRING 9KG (7645PF)

DATA INIZIO VAL.: 03/12/2010 DATA FINE VAL.: 01/01/3000 N. TAVOLA: E50010014/06

CODICE:	DESCRIZIONE:	QTA':	POS:	RIF1:	RIF2:
5.001.Z644C	MOTORPUMP PT'03 230/50 TS 5'30 SPRING 9KG (7645PF-AL)	1	00		
5.009.0741	UNIV.MOTOR 230/50+PINION CABLE L=600 WITH CAPACITOR (7645PF)	1	01		
6.005.0311	THRUST RING KIT	1	02		
4.007.0205	PIN 10X70	1	03		
5.009.0726	5'30 PLATE ASSEMBLY W/CROWN Z 62	1	04		
4.007.0328	THRUST BEARING 35X55X12 PT'03 REV.03	1	05		
6.005.0181	KIT 167 LW PISTON	1	06		
6.005.0226	KIT 209 O-RING	1	07		
6.005.0184	KIT 170 LW HEAD VALVE KIT	1	08		
4.005.0210	'03 PARTNER HEAD REV.11	1	09		
6.005.0133	KIT 124 O-RING WATER SEAL PARTNER D.12	1	10		
6.005.0134	KIT 125 O-RING SEAL	1	11		
6.005.0281	KIT 256 VALVE GUIDE RID. W/O SUCTION PT'03C	1	13A		
4.008.0031	INLET WATER FILTER H2O D.16 CONICAL	1	14		
5.009.0676	ASSEMBLY BODY GUIDE WITHOUT SUCTION	1	15		
5.009.0680	COMPLETED VALVE TS PT'03 CABLE L=530 SPRING 9KG	1	16		
5.007.0192	GUIDE BODY PARTNER'03 PISTON D.12 W/TS-WOUT/VACUUM-COMP.VAL	1	17		
5.008.0182	'03 PARTNER HEAD D.12	1	18		



- 10 — 
- 11 — 
- 12 — 
- 13 — 
- 14 — 
- 15 — 
- 16 — 
- 17 — 
- 18 — 

# LISTA RICAMBI

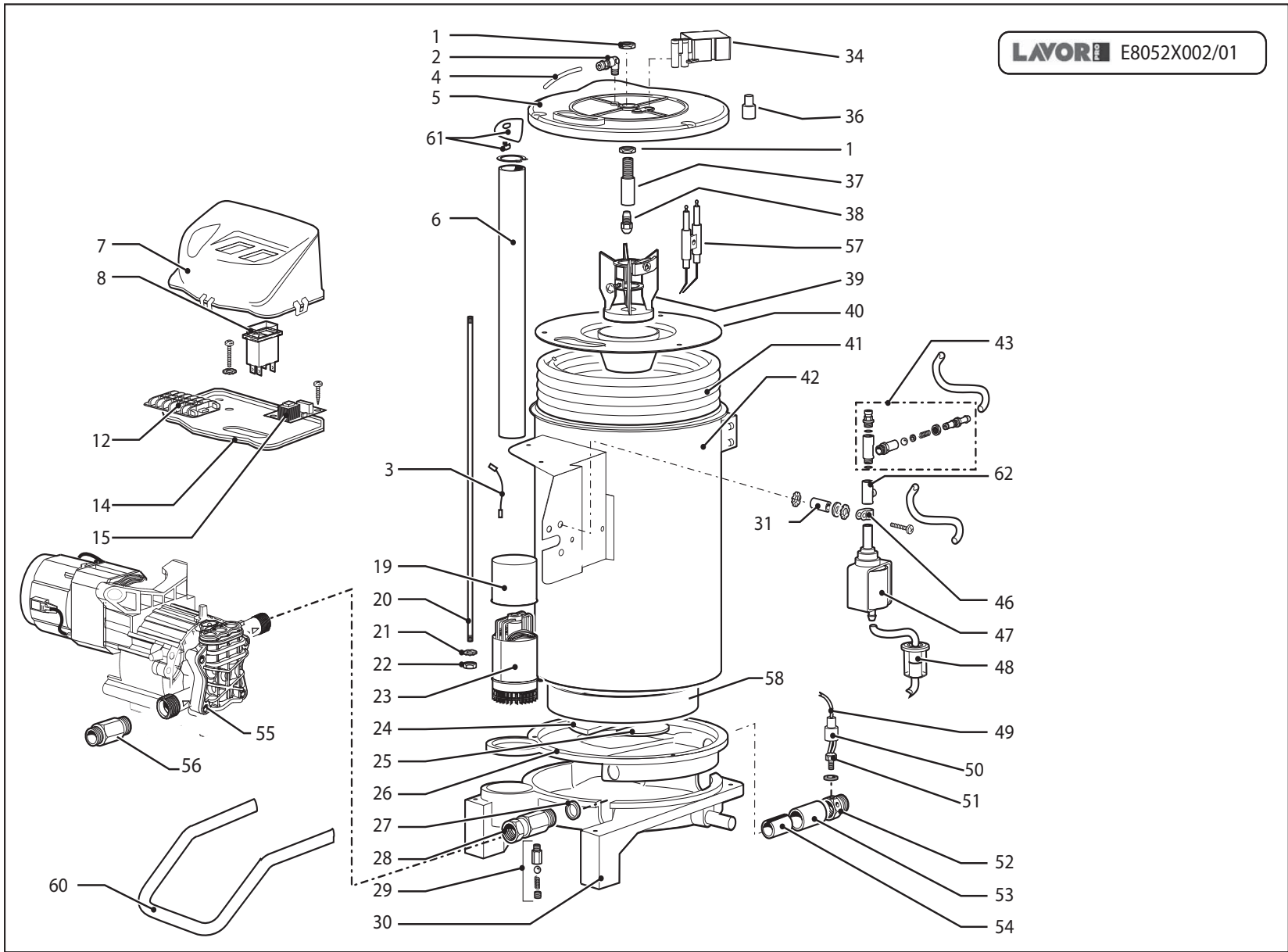
CODICE: 8.052.0821 REV.: 1 DESCRIZIONE: IDRO FIRE 1007 230/50 TS -G- LWS

DATA INIZIO VAL.: 03/18/2009 DATA FINE VAL.: 01/01/3000

CODICE GRUPPO: R80520821 REV.: 1 DESCRIZIONE: CHASSIS

DATA INIZIO VAL.: 03/18/2009 DATA FINE VAL.: 01/01/3000 N. TAVOLA: E8052C0009/01

CODICE:	DESCRIZIONE:	QTA':	POS:	RIF1:	RIF2:
4.013.0577	UPPER PLASTIC FKX-E -G- RAL.1018 (TERM.)	1	01		
4.008.0625	HANDLE FOR ACCESSORIES HOLDER WITH DETERGENT SUCTION	1	02		
4.008.0630	ACCESSORIES HOLDER FOR HANDLE	1	03		
4.608.0027	CAP DIAM.30 FOR TANK FIRE 100	1	04		
4.007.0403	RIGHT BRACKET FOR COVER HOT1700	1	05		
4.007.0402	LEFT BRACKET FOR COVER HOT1700	1	06		
6.005.0279	KIT 254 WHEEL+WHEEL STUD	1	07		
4.007.0355	L-SHAPED BRACKET FOR MOTOR SUPPORT	1	08		
4.012.0150	CABLE H05VV-F 3X1,5 MT.5,4 F/F SCHUKO PLUG	1	09		
6.001.0078	GUN S'10Y WITH QUICK CONNECTION LAVOR	1	10		
4.018.0003	HOSE 1/4 R1 210BAR L.8000 1/4F.G+ D.15 RUBBER	1	11		
6.002.0209C	FIXED LANCE S'99 1,05 L=46cm. (GREY) ESP.00	1	12		
6.002.0202	LWS M22 1.1 BRASS TURBO LANCE	1	13	OPT.	
3.601.0033	FIX BRUSH WITH ADAPT.REINFORCED COGETIL	1	14	OPT.	
3.601.0035	ROTATING HYDRO BRUSH WITH HANDLE	1	15	OPT.	
6.002.0259	FOAM SPRAYER WITH TRANSPARENT TANK	1	16		
5.009.0611	GASKET	1	17		
5.009.0751	ADAPTER FOR GUN S'09 1/4 +OR	1	18		



# LISTA RICAMBI

CODICE: 8.052.0821 REV.: 1 DESCRIZIONE: IDRO FIRE 1007 230/50 TS -G- LWS

DATA INIZIO VAL.: 03/18/2009 DATA FINE VAL.: 01/01/3000

CODICE GRUPPO: R8052X812 REV.: 1 DESCRIZIONE: BOILER

DATA INIZIO VAL.: 03/18/2009 DATA FINE VAL.: 01/01/3000 N. TAVOLA: E8052X002/01

CODICE:	DESCRIZIONE:	QTA':	POS:	RIF1:	RIF2:
3.100.0075	CONIC CONNECTION M 1/8 F D.4 CURVED FOR GASOIL HOSE VITON O-RING	1	02		
4.012.0102	CABLE L=600 SEC.0,75 IEC227-3/1979	2	03		
4.608.0145	RILSAN GASOIL HOSE X PARANA' L =500 ESP.00	1	04		
4.005.0194	CAP FOR BOILER FKX	1	05		
4.007.0303	TUBE D.40 L=325 FE 37 PREZINCE D ESP.00	1	06		
4.008.0447	ELECTRICAL BOX COVER	1	07		
3.401.0178	SWITCH 0/1 BLACK BOTTON IP55 12/10	2	08		
3.405.0011	TERMINAL BOARD PA 32/6	1	12		
4.008.0446	ELECTRICAL BOX BASE	1	14		
3.403.0012	ELECTRICAL CARD	1	15		
4.008.0470	FAN MOTOR COVER	1	19		
4.007.0180	BOILER STAY M6X352	3	20		
3.004.0010	WASHER D6X11 Sp0,7 DIN6798A ZN T	6	21		
3.003.0011	NUT M6 UNI 5588	6	22		
3.304.0005	BURNER MOTOR 230/50 C/W FAN, FLANGE, CABLES AND COVER	1	23		
4.008.0658	THERMORESISTANT FELT BOTTOM PL ATE X FKX/PARANA' ESP.02	1	24		
4.008.1173	THERMORESISTANT BOTTOM HARD PLATE d.124 h.20	1	25		
4.007.0158	BOILER PAD	1	26		
4.007.0200	WASHER20.2X26X3	1	27		
6.005.0319	KIT 291 LW UNION PUMP/BOILER HOBBY	1	28		
5.609.0260	MAX PRESSURE VALVE 250BAR 1/8	1	29		
4.005.0186	BOILER BASE PLATE X FKX ESP.00 (LIKE DIE CASTING )	1	30		
4.007.0185	SPACER FOR FIXING CLAMP	1	31		
5.009.0686	IGNITION TRANSFORMER WITH CABLES	1	34		
4.008.0848	GASKET NEW TRANSFORMER FKX	2	36		
4.006.0187	NOZZLE HOLDER PIN	1	37		
3.104.0023	NOZZLE 0.40 60'S	1	38		
3.099.0296	COMPLETE ELECTRODE DEFLECTORDI D.2 FKX	1	39		
5.013.0027	DISK HEAD HOLDER	1	40		
4.604.0028	COIL D.202 SINGLE FKX ECO	1	41		
5.013.0037	BOILER BODY WITH BRACKET X FKX	1	42		
3.099.0110	D.12 CLAMP	1	46		
3.551.0014	GASOIL PUMP	1	47		
5.011.0043	GASOIL FILTER GROUP	1	48		
3.411.0001	ELECTROLYTIC PIPE D.4	1	49		
4.608.0038	RUBBER PROTECTION FOR THERMIC	1	50		
3.403.0187	THERMAL BREAKER LK1.060.05. 1000 BLACK CABLES L=1mt	1	51		
4.606.0002	DELIVERY CONNECTION	1	52		
4.007.0322	TUBE FKX L=42 ESP.00	1	53		
4.008.0449	THERMORESISTANT COUPLING BOW 17X23XL40	1	54		
5.001.Z644C	MOTORPUMP PT'03 230/50 TS 5'30 SPRING 9KG (7645PF-AL)	1	55		
5.009.0611	GASKET	1	56		
4.614.0003	ELECTRODE D.2 FKX PARANA'	1	57		
4.008.1174	HEAT RESISTANT CERAMIC FIBER BAND 270X635 TH.4	1	58		
4.007.0256	BASE FKX	1	60		

# LISTA RICAMBI

CODICE: 8.052.0821 REV.: 1 DESCRIZIONE: IDRO FIRE 1007 230/50 TS -G- LWS

DATA INIZIO VAL.: 03/18/2009 DATA FINE VAL.: 01/01/3000

CODICE GRUPPO: R8052X812 REV.: 1 DESCRIZIONE: BOILER

DATA INIZIO VAL.: 03/18/2009 DATA FINE VAL.: 01/01/3000 N. TAVOLA: E8052X002/01

CODICE:	DESCRIZIONE:	QTA':	POS:	RIF1:	RIF2:
5.009.0637	BOILER CAP KIT	1	61		