

# LAVORWASH

## SERVICE

## PARTS LIST

Code R50010671-1  
 Description MOTORPUMP

Start Date 6/9/2010  
 End Date 1/1/3000  
 Table E50010014-06

Pos.	Code	Price	Q.ty per pck.	Qty.	Description	Alternative	Price
000	5.001.0654C	0	1	1	MOTORPUMP PT'03 230/50 TS M.13KG WITH SUCT. (9650AF) -C-		0
001	5.009.0762	0	1	1	UNIVERSAL MOTOR '03 230/50 C/FL. INT.ALL. F.L=600 X FKX (93		0
002	6.005.0180	20	1	1	KIT 166 FOOTSTEP BEARING 3047PT' 03-SD		0
003	4.007.0205	5	4	1	PIN 10X70		0
004	5.009.0742	10	2	1	7"10 PLATE ASSEMBLY W/CROWNZ 50		0
005	4.007.0328	10	2	1	THRUST BEARING 35X55X12 PT'03REV.03		0
006	6.005.0181	20	1	1	KIT 167 LW PISTON		0
007	6.005.0226	20	1	1	KIT 209 O-RING		0
008	6.005.0184	10	2	1	KIT 170 LW HEAD VALVE KIT		0
009	4.005.0210	20	1	1	'03 PARTNER HEAD REV.11		0
010	6.005.0133	10	2	1	KIT 124 O-RING WATER SEAL PARTNER D.12		0
011	6.005.0282	10	2	1	KIT 257 O-RING SEAL		0
012	6.005.0079	11	2	1	KIT 79 LW OIL SEALS		0
13A	6.005.0281	10	2	1	KIT 256 VALVE GUIDE RID. W/OSUCTION PT'03C		0
13B	6.005.0210	11.46	2	1	KIT 193 LW VALVE GUIDE RID.+PO RTAG.PT'03		0
014	4.008.0031	1	20	1	INLET WATER FILTER H2O D.16 CONICAL		0

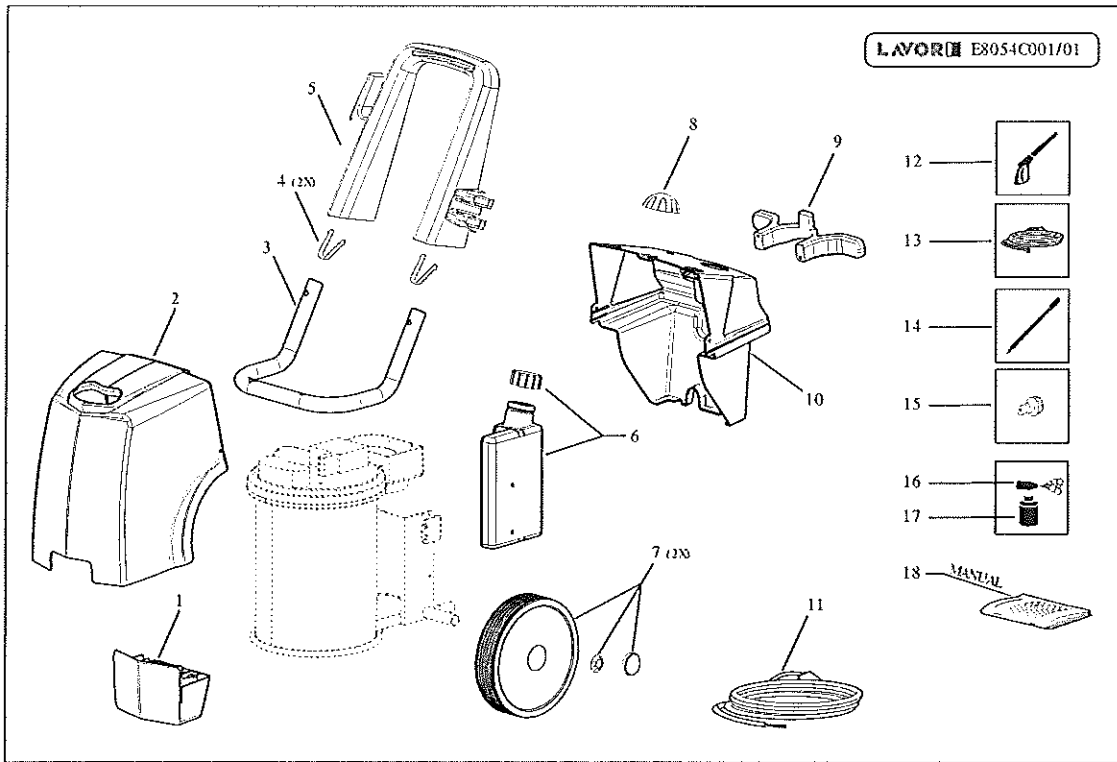


# PARTS LIST

*Code* R50010671-1  
*Description* MOTORPUMP

*Start Date* 6/9/2010  
*End Date* 1/1/3000  
*Table* E50010014-06

Pos.	Code	Price	Q.ty per pck.	Qty.	Description	Alternative	Price
015	4.005.0211	22	1	1	PISTON BODY GUIDE PT'03 ESP00		0
016	5.009.0716	20	1	1	COMPLETED VALVE TS PT'03 CABLEL=530 SPRING 13KG		0
017	5.007.0192	57.1	1	1	GUIDE BODY PARTNER'03 PISTON D.12 W/TS-WOUT/VACUUM-		0
018	5.008.0182	20	1	1	'03 PARTNER HEAD D.12		0



# LAVORWASH

## SERVICE

## PARTS LIST

Code R80540001-1  
Description CHASSIS

Start Date 6/9/2010  
End Date 11/1/3000  
Table E8054C001-01

Pos.	Code	Price	Q.ty per pck.	Qty.	Description	Alternative	Price
001	4.008.1227	0	3	1	FOOT FOR FIRE'10		0
002	4.013.0579	0	1	1	UPPER CABINET FOR FIRE'10 -Y-RAL.1018		0
003	4.007.0424	0	1	1	TUBOLAR HANDLE SUPPORT FIRE'10esp.02		0
004	6.005.0386	0	3	1	KIT 352 LW LOCKING CLIPS FOR PIPE		0
005	6.005.0384	0	3	1	KIT 350 LW HANDLEBAR+GUN HOLDER ADVANCED		0
006	6.005.0385	0	3	1	KIT 351 LW DIESEL TANK + CAPADVANCED		0
007	6.005.0242	24.62	1	1	KIT 225 LW WHEELS+WHEEL COVER+EAGLE		0
008	4.608.0380	0	5	1	KNOB FOR ROTARY SWITCH		0
009	4.008.1224	0	3	1	CABLE HOLDER		0
010	4.008.1223	0	3	1	BACK CABINET FOR FIRE'10		0
011	4.012.0150	20	1	1	CABLE H05VV-F 3X1.5 MT.5.2 F/FSCHUKO PLUG ESP.00		0
012	6.001.0078	35	1	1	GUN S'10Y WITH QUICK CONNECTION LAVOR		0
013	4.018.0003	50	1	1	HOSE 1/4 R1 210BAR L.8000 1/4F.G+ D.15 RUBBER		0
014	6.002.0209C	11	2	1	FIXED LANCE S'99 1,05 L=46cm.(GREY) ESP.00		0
015	3.100.0082'	1	20	1	QUICK COUPLING INLET CONNECTOR		0
016	5.011.0070	4.75	5	1	FOAM SPRAYER 03	6.002.0259	10

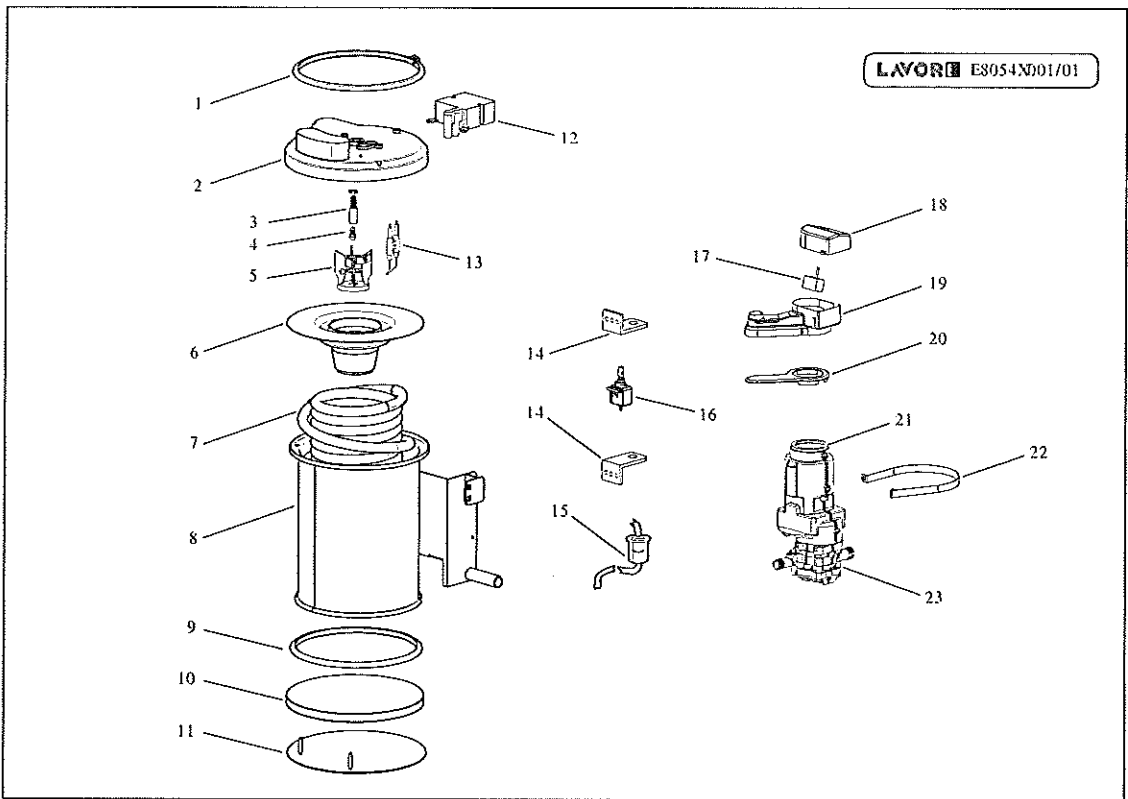


## PARTS LIST

*Code* R80540001-1  
*Description* CHASSIS

*Start Date* 6/9/2010  
*End Date* 1/1/3000  
*Table* E8054C001-01

Pos.	Code	Price	Q.ty per pck.	Qty.	Description	Alternative	Price
017	4.008.0803	3.75	6	1	TANK FOR FOAM SPRAYER '99 -WHITE TRANSPARENT-		0
018	7.100.1682	0	1	1	INSTRUCTION MANUAL		0



# LAVORWASH

## SERVICE

## PARTS LIST

Code R8054X001-1  
Description BOILER

Start Date 6/9/2010  
End Date 1/1/3000  
Table E8054X001-01

Pos.	Code	Price	Q.ty per pck.	Qty.	Description	Alternative	Price
001	3.099.1560	0	3	1	CLOSING CLAMP FOR BOILER COVER		0
002	4.005.0194	54.17	1	1	CAP FOR BOILER FKX		0
003	4.006.0187	20	1	1	NOZZLE HOLDER PIN		0
004	3.104.0023	23.9	1	1	NOZZLE 0.40 60'S		0
005	3.099.0296	32.21	1	1	COMPLETE ELECTRODE DEFLECTORDID.2 FKX	6.005.0307	32.21
006	5.013.0027	52.77	1	1	DISK HEAD HOLDER		0
007	4.604.0029	200	1	1	COIL D.202		0
008	5.013.0061	0	1	1	BOILER BODY WITH BRACKETS		0
009	4.008.1174	20	1	1	HEAT RESISTANT CERAMIC FIBER BAND 270X635 TH.4		0
010	4.008.1269	20	4	1	REFRACTORY STONE		0
011	4.007.0427	0	1	1	BOILER PAD FOR FIRE '10		0
012	5.009.0686	88.47	1	1	IGNITION TRANSFORMER WITH CABLES		0
013	4.614.0003	29.2	1	1	ELECTRODE D.2 FKX PARANA'		0
014	4.208.0313	4.33	6	2	L ANTIVIBRATION DEVICE FOR ULKA DETERG. PUMP		0
015	5.011.0121	0	3	1	FUEL FILTER ASSEMBLY (PAPER 30 micron)		0
016	3.551.0014	40.67	1	1	GASOIL PUMP		0



# PARTS LIST

*Code* R8054X001-1  
*Description* BOILER

*Start Date* 6/9/2010  
*End Date* 1/1/3000  
*Table* E8054X001-01

Pos.	Code	Price	Qty per pck.	Qty.	Description	Alternative	Price
017	3.401.0193	0	1	1	ROTARY SWITCH - 2 POSITION		0
018	4.008.1228	0	3	1	ELECTRICAL BOX COVER FOR FIRE'10		0
019	4.008.1181	0	1	1	CONVEYOR FOR FIRE'10		0
020	4.008.1180	0	1	1	LOWER COVER FOR CONVEYOR FIRE'10		0
021	4.008.1253	0	3	1	RIGHT+LEFT CONVEYOR FOR MOTORFIRE'10		0
022	4.007.0425	0	1	1	FIXING BAND FOR PUMP 40070425		0
023	5.001.0671	39	1	1	UNIVERSAL MOTORPUMP PT'03 230/50 V.COMP.7'10 TS S/ASP.M .13K		0