

**LAVORWASH**  
**SERVICE**

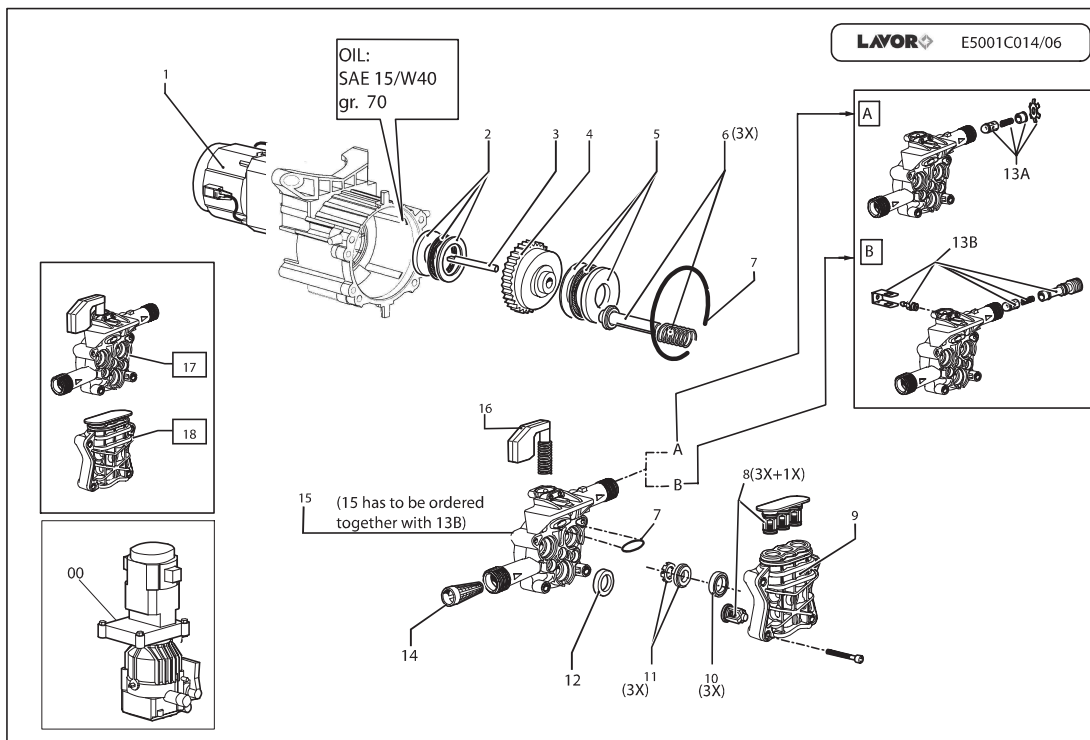
## ERSATZTEILLISTE

Code R80820004-1  
Beschreibung CHASSIS

Anfangsdatum 16/11/2009  
Schlussdatum 1/1/3000

Tafel E8082C001-01

Pos.	Code	Preis	Menge pro	Menge e.	Beschreibung	Alternative	Preis	M
001	5.011.0098	10	3	1	ASSIEME MANICO BASSO + PLACCHETTA -N/G- P80.0425 (STORM2)		0	0
005	5.011.0101	25	1	1	ASSIEME CAREN.+COPERT.ANT. -G/N- TAMPOGR. LAVOR STORM2		0	0
006	4.013.0555	20	1	1	CARENATURA POSTERIORE NERA P80.0425 (STORM2) ESP.00		0	0
008	6.005.0309	11	3	1	KIT 281 LW RUOTE STORM		0	0
009	4.008.1172	2.53	9	1	CONVOGLIATORE PER MOTORE U76 ESP.03		0	0
010	4.012.0174	20	1	1	KABEL H05VV-F 2X1 MT.5,4 F/FMIT SCHUKO STECKER		0	0
011	3.401.0178	10	2	1	INTERRUTT.0/1 PULS.NERI PUSH/BOTTON IP55 12/10		0	0
014	4.008.1144	5	5	1	MANIGLIA POSTERIORE PORTACC. NERA (STORM II P80.0425)		0	0
025	7.100.1553	0	1	1	MANUALE SPECIFICO STORM2 + CELAVOR 27L A5 16F REV.02		0	0
026	6.001.0073	29	1	1	PISTOLA S'09 C/ATTACCO RAPIDointegr. LAVOR ESP.00		0	0
027	4.018.0094	20	1	1	TUBO 1/4 130BAR L=4000 GIR.M22x1,5 D.15-INN.RAP.X S'09 C/MAN		0	0
028	6.002.0326	20	1	1	LANCIA S'02V 0,9 -ROSA- RAL.3015 (PANT.706C) ESP.00		0	0
029	6.002.0329	20	1	1	LANCIA ROTOX S01 TESTA CONICA1,025 (NERO) L=470 ESP.00		0	0
030	3.100.0082	1	20	1	SCHNELLSCHALKUPPLUNG 3/4 SCHWARZ MIT DICHT.		0	0
031	5.011.0070	4.75	5	1	SCHAUMDUESE '03 GENORMT 1 22	6.002.0259	10	2
032	4.008.0529	3.75	6	1	BEHALTER		0	0



## ERSATZTEILLISTE

Code R50010646C-1  
Beschreibung MOTORPUMP

Anfangsdatum 16/11/2009  
Schlussdatum 1/1/3000  
Tafel E50010014-06

Pos.	Code	Preis	Menge pro	Menge.	Beschreibung	Alternative	Preis	M
000	5.001.0646C	60	1	1	MOTOP.SPAZZ.PT'03 230/50 4'45TS MOLLA 9KG (7630PF) -C-		0	0
001	5.009.0727	72	1	1	ASS.MOT.SPAZZ.03 230/50 FL.INT+PIGN.F.L=600 C/ANTID(U7630PF)		0	0
003	4.007.0205	20	1	1	ZAFPEN		0	0
004	5.009.0728	8	3	1	ASSIEME PIATTELLO 4GR45' PT'03(U7630) C/CORONA Z 62		0	0
005	6.005.0087	20	1	1	KIT 87 LW GABBIE RULLINI PERMOTOP. FIBRA/PT'03		0	0
006	6.005.0181	20	1	1	KIT 167 LW 3 PISTONI +MOLLE PT'03		0	0
007	6.005.0226	20	1	1	KIT 209 O-RING PER PT'03		0	0
008	6.005.0184	10	2	1	KIT 170 LW VALV.ASP./MAND.PT'03		0	0
009	4.005.0210	20	1	1	ZYLINDERKOPF PARTNER'03 LAV. ESP.02 1 16		0	0
010	6.005.0133	10	2	1	KIT 124 ANELLI TENUTA ACQUA PARTNER D.12		0	0
011	6.005.0134	10	2	1	KIT 125 LW ANELLI APP.TENUTAOTTONE + DISTANZIALI PT D.12		0	0
012	6.005.0079	11	2	1	KIT 79 LW ANELLI TENUTA OLIOX PARTNER D.12/FIBRA		0	0
014	4.008.0031	1	20	1	FILTERSIEB DM16 H20		0	0
015	5.009.0676	23.1	1	1	ASS.CORPO GUIDA PT'03 D.12 S/ASPIRAZIONE-TENUTE OLIO		0	0
016	5.009.0680	20	1	1	ASSIEME VALV.COMP. C/TS X PT'03 CAVO L=530 MOLLA 9KG		0	0
017	5.007.0192	57.1	1	1	FUEHRUNGSKOERPER PARTNER'03 KOLBEND.		0	0
018	5.008.0182	20	1	1	ZYLINDERKOPF PARTNER '03 D.121 30		0	0