

LAVORWASH

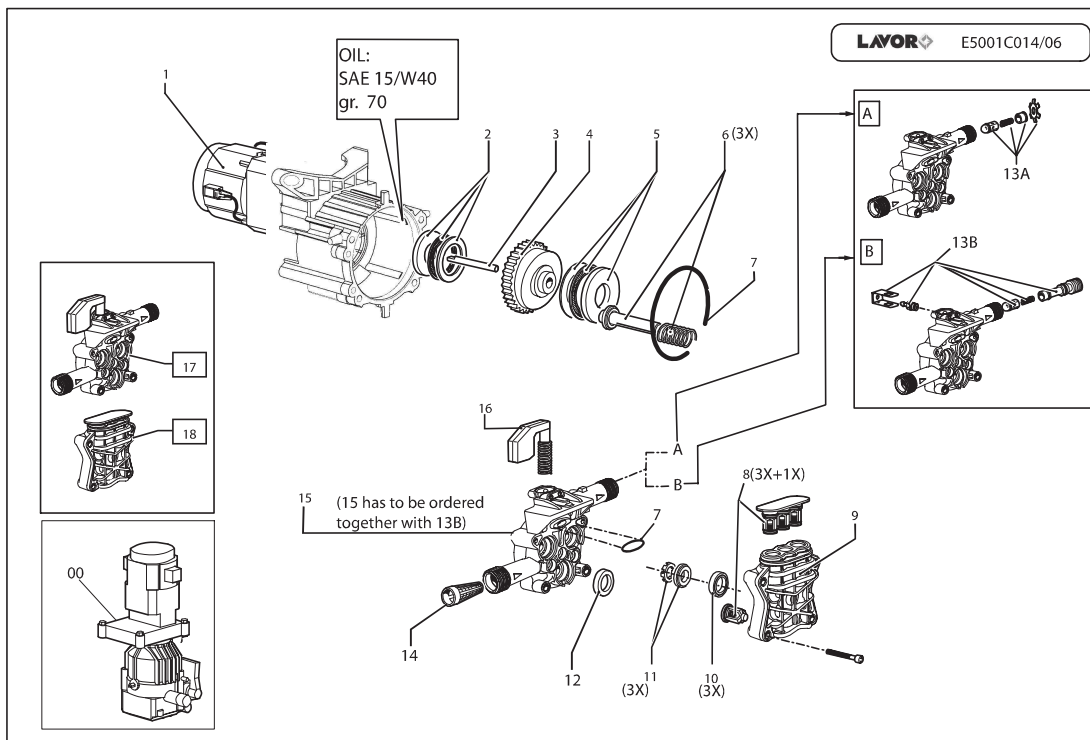
SERVICE

ERSATZTEILLISTE

Code R80820005-1
 Beschreibung CHASSIS

Anfangsdatum 19/11/2009
 Schlussdatum 1/1/3000
 Tafel E8082C001-01

Pos.	Code	Preis	Menge pro	Menge e.	Beschreibung	Alternative	Preis	M
003	4.008.1145	0	1	1	MANICO ALTO NERO (STORM II P80.0425) ESP.00		0	0
005	5.011.0101	25	1	1	ASSIEME CAREN.+COPERT.ANT. -G/N- TAMPOGR. LAVOR STORM2		0	0
006	4.013.0555	20	1	1	CARENATURA POSTERIORE NERA P80.0425 (STORM2) ESP.00		0	0
008	6.005.0309	11	3	1	KIT 281 LW RUOTE STORM		0	0
009	4.008.1172	2.53	9	1	CONVOGLIATORE PER MOTORE U76 ESP.03		0	0
010	4.012.0174	20	1	1	KABEL H05VV-F 2X1 MT.5,4 F/FMIT SCHUKO STECKER		0	0
011	3.401.0178	10	2	1	INTERRUTT.0/1 PULS.NERI PUSH/BOTTON IP55 12/10		0	0
012	4.008.1151	1.2	20	1	TAPPO SERBATOIO NERO P80.0425(STORM II) ESP.00		0	0
013	4.008.1150	10	3	1	SERBATOIO -B- TRASP. P80.0425(STORM II) ES P.00		0	0
014	4.008.1144	5	5	1	MANIGLIA POSTERIORE PORTACC. NERA (STORM II P80.0425)		0	0
017	5.012.0336	2.5	9	1	CORREDO N.8 VITI TC-TC + 2 FERMI AVV. + INNESTO		0	0
025	7.100.1553	0	1	1	MANUALE SPECIFICO STORM2 + CELAVOR 27L A5 16F REV.02		0	0
026	6.001.0073	29	1	1	PISTOLA S'09 C/ATTACCO RAPIDOINTEGR. LAVOR ESP.00		0	0
027	4.018.0095	20.55	1	1	TUBO 1/4 160BAR L=6000 GIR.M22x1,5 D.15-INN.RAP.X S'09 ESP.0		0	0
028	6.002.0215C	17.51	2	1	LANCIA S'99 1,025 A/B (NERO) L=47cm ESP.00	6.002.0190C	17.51	2
029	6.002.0329	20	1	1	LANCIA ROTOX S01 TESTA CONICA1,025 (NERO) L=470 ESP.00		0	0
030	3.100.0082	1	20	1	SCHNELLSCHALTKUPPLUNG 3/4 SCHWARZ MIT DICHT.		0	0
032	4.008.0529	3.75	6	1	BEHAELTER		0	0
037	6.005.0310	6.5	10	1	KIT 282 LW ARROTOL.+MANOP. STORM		0	0



LAVORWASH

SERVICE

ERSATZTEILLISTE

Code R50010645C-1
 Beschreibung MOTORPUMP

Anfangsdatum 19/11/2009
 Schlussdatum 1/1/3000
 Tafel E50010014-06

Pos.	Code	Preis	Menge pro	Menge	Beschreibung	Alternative	Preis	M
000	5.001.0645C	108	1	1	MOTOP.SPAZZ.PT'03 230/50 5'30TS MOLLA 9KG C/ASP.(7645AF)-C-		0	0
001	5.009.0729	50	1	1	ASS.MOT.SPAZZ.03 230/50 FL.INT+PIGN.F.L=600 C/ANTID(U7645AF		0	0
002	6.005.0311	4.2	6	1	KIT 283 LW GABBIE RULLINI PERMOTOP. PT'03 (U76)		0	0
003	4.007.0205	20	1	1	ZAFPEN		0	0
004	5.009.0726	4.7	5	1	ASSIEME PIATTELLO 5'30 PT'03 (U76) C/CORONA Z 62		0	0
005	4.007.0328	20	1	1	CUSCINETTO REGGISPINTA A SFERE35X55X12 PER PT'03 ESP.03		0	0
006	6.005.0181	20	1	1	KIT 167 LW 3 PISTONI +MOLLE PT'03		0	0
007	6.005.0226	20	1	1	KIT 209 O-RING PER PT'03		0	0
008	6.005.0184	10	2	1	KIT 170 LW VALV.ASP./MAND.PT'03		0	0
009	4.005.0210	20	1	1	ZYLINDERKOPF PARTNER'03 LAV. ESP.02 1 16		0	0
010	6.005.0133	10	2	1	KIT 124 ANELLI TENUTA ACQUA PARTNER D.12		0	0
011	6.005.0134	10	2	1	KIT 125 LW ANELLI APP.TENUTAOTTONE + DISTANZIALI PT D.12		0	0
013	5.009.0707	0	1	1	ASSIEME PORTAGOMMA ASP.DET.M10C/OR		0	0
014	4.008.0031	1	20	1	FILTERSIEB DM16 H20		0	0
016	5.009.0680	20	1	1	ASSIEME VALV.COMP. C/TS X PT'03 CAVO L=530 MOLLA 9KG		0	0
017	5.009.0706	0	1	1	ASS.CORPO GUIDA PT'03 D.12 S/VALV.COMP.IN.1,7 S/PORTAGOMMA		0	0
018	5.008.0182	20	1	1	ZYLINDERKOPF PARTNER '03 D.121 30		0	0