

LAVORWASH

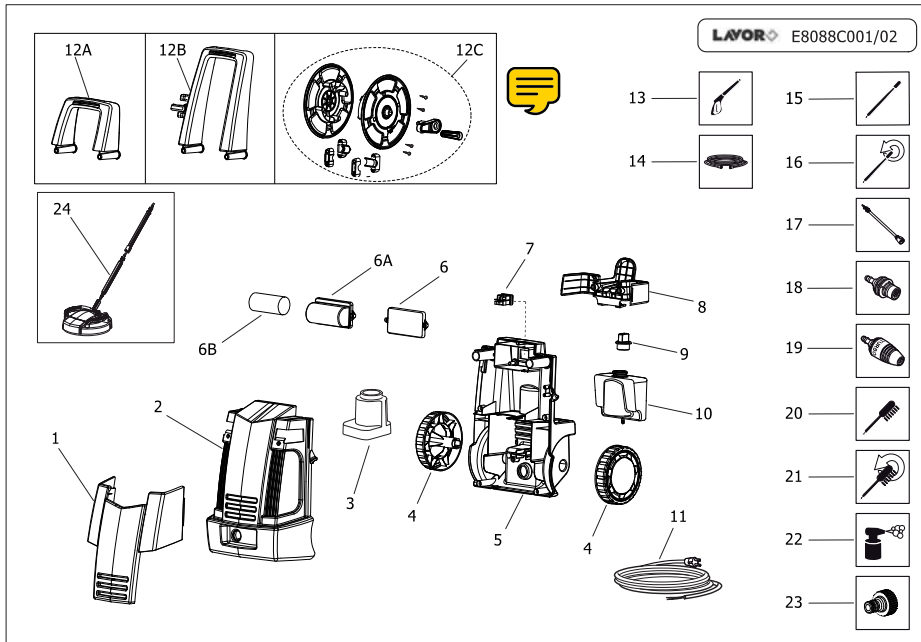
SERVICE

PARTS LIST

Code R50010719C-1
 Description MOTOP.SPAZZ.PT'03 ECO 230/50
 4'45 TS MOLLA 9KG C/ASP.

Start Date 13/6/2012
 End Date 1/1/3000
 Table E50010014-13

Pos.	Code	Price	Q.ty per pck.	Qty.	Description	Alternative	Price	G	P
000	5.001.0719C	79.61	1	1	MOTORPUMP PT'03EVO 230/50 TS 4'45 SPRING 13KG WITH SUCTION		0	0	0
001	5.009.0821	85.7	1	1	ASSEMBLY MOTOR PT'03 230/50 WITH CAPACITOR (U7630PF-ALL)		0	0	0
002	6.005.0311	4.73	5	1	THRUST RING KIT (PT'03 U76)		0	0	0
003	4.007.0205	5.74	4	1	PIN 10X70		0	0	0
004	5.009.0728	8.57	3	1	4'45 WOBBLE PLATE ASSEMBLY W/CROWN Z 62 (PT'03)		0	0	0
005	4.007.0328	11.46	2	1	THRUST BEARING 35X55X12 PT'03		0	0	0
006	6.005.0181	22.49	1	1	KIT 167 LW PISTON		0	0	0
007	6.005.0226	8.79	3	1	KIT 209 O-RING		0	0	0
008	6.005.0392	21.63	1	1	KIT 358 LW HEAD VALVE KIT +CAPS PT'03EVO		0	0	0
009	4.005.0298	21	1	1	PT'03EVO PARTNER HEAD		0	0	0
010	6.005.0133	11.25	2	1	KIT 124 O-RING WATER SEAL PARTNER D.12		0	0	0
011	6.005.0282	11.25	2	1	KIT 257 O-RING SEAL		0	0	0
012	6.005.0079	12.37	2	1	KIT 79 LW OIL SEALS		0	0	0
13B	6.005.0277	3.77	6	1	KIT 252		0	0	0
014	4.008.0031	1.14	18	1	INLET WATER FILTER H2O D.16 CONICAL		0	0	0
015	4.005.0300	21	1	1	PISTON BODY GUIDE PT'03EVO WITH SUCTION		0	0	0
016	5.009.0716	21.42	1	1	COMPLETED VALVE TS PT'03 CABLEL=530 SPRING 13KG (WHITE		0	0	0
017	5.007.0249	42	1	1	BODY GUIDE ASSEMBLED PT'03EVO WITH TS/COMP.VALVE/SUCTION		0	0	0
018	5.008.0261	21.63	1	1	PT'03EVO HEAD D.12		0	0	0



LAVORWASH
SERVICE

PARTS LIST

Code R80880004C-2
Description CHASSIS

Start Date 13/6/2012
End Date 1/1/3000
Table E8088C001-02

Pos.	Code	Price	Q.ty per pck.	Qty.	Description	Alternative	Price	G	P
001	4.008.1350	21.4	1	1	YELLOW FRONT COVER PANT.108C WAVE P80.0539 WITH TAMP.		0	0	0
002	4.013.0613	21.63	1	1	BLACK FRONT CABINET WAVE (FORUNIVERSAL MOTOR)		0	0	0
003	4.008.1186	2.2	10	1	AIR CONVEYOR FOR U76 (LIGHT) -C-		0	0	0
004	4.008.1339	3.86	6	2	BLACK WHEEL WAVE P80.0539		0	0	0
005	4.013.0615	21.63	1	1	BLACK BACK COVER WAVE P80.0539(UNIV.MOTOR)		0	0	0
006	4.008.1341	2.2	10	1	BLACK COVER FOR ELECTRICAL BOXWAVE (UNIV.MOTOR) P80.0539		0	0	0
007	3.401.0178	5.26	4	1	SWITCH 0/1 BLACK BOTTON IP55 12/10		0	0	0
008	4.008.1338	3.65	6	1	YELLOW CABLE REEL WAVE P80.0539 PANT.108C		0	0	0
009	4.608.0027	7.55	3	1	BLACK PLUG D.30 FOR TANK		0	0	0
010	4.008.1340	11.02	2	1	NEUTRAL TANK WAVE P80.0539		0	0	0
011	4.012.0174	22.49	1	1	CABLE H05VV-F 2X1 MT.5,4 F/F SCHUKO PLUG		0	0	0
12B	4.008.1334	22.04	1	1	BLACK HIGH HANDLE WAVE P80.0539		0	0	0
013	6.001.0073	26.22	1	1	GUN S'09 WITH INTEGRAL QUICK JOINT LAVOR		0	0	0
014	4.018.0098	26.8	1	1	HOSE 1/4 160BAR L=5000 M22x1,5D.15-RAPID FIX WITH SPIRAL SL		0	0	0
015	6.002.0286C	13.66	2	1	HIGH/LOW LANCE D.0,95 (ORANGE)L=47cm	6.002.0189C	13.66	2	0
016	6.002.0329	10.92	2	1	ROTOX LANCE S01 CONICAL HEAD 1,025 (BLACK) L=470		0	0	0
017	6.002.0340	8.4	3	1	LANCE S'12 WITHOUT NOZZLE HEADWITH QUICK		0	0	0
018	6.002.0342	6.3	4	1	NOZZLE HEAD LANCE S'12 D.0,95WITH QUICK COUPLING		0	0	0
019	6.002.0346	7.35	3	1	ROTOX NOZZLE HEAD LANCE S'12 D.1,025 WITH QUICK COUPLING		0	0	0
020	3.601.0033	12.52	2	1	FIX BRUSH WITH ADAPT.REINFORCED COGETIL		0	0	0
021	3.601.0035	34.63	1	1	ROTATING HYDRO BRUSH WITH HANDLE	3.601.0074	23.35	1	0
022	6.002.0259	10.92	2	1	FOAM SPRAYER WITH TRANSPARENTTANK		0	0	0
023	3.100.0082	1.14	18	1	QUICK COUPLING INLET CONNECTOR		0	0	0
024	3.601.0097	55.17	1	1	YELLOW/BLACK FLOOR BRUSH WITHEXTENSION (D.1,1)		0	0	0