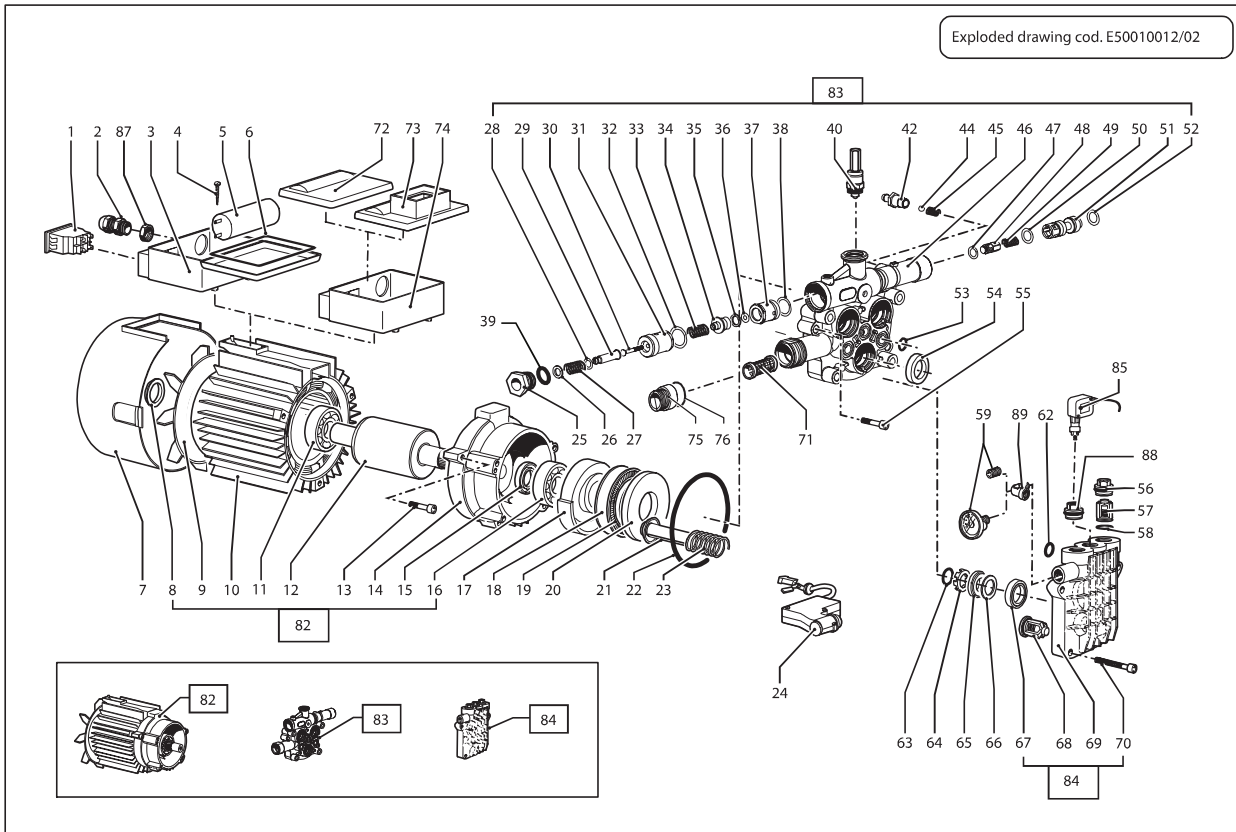


PARTS LIST

Code R86170001-3
 Description PARANA' 230/50 -G-LWS

Start Date 11/3/2003
 End Date 1/1/3000
 Table E8617C002-01

Pos.	Code	Price	Q.ty per pck.	Qty.	Description	Alternative	Price	C	P
001	4.608.0142	236.15	1	1	PLASTIC BASE FOR PARANA'		0	0	0
002	3.002.0176	1.25	18	1	SCREW M5X16 7985		0	0	0
003	3.004.0017	1.25	18	1	WASHER D.5X10		0	0	0
004	4.613.0139	165.3	1	1	YELLOW UPPER HOUSING FOR PARANA		0	0	0
005	4.608.0027	7.8	3	3	BLACK PLUG D.30 FOR TANK		0	0	0
006	4.607.0220	27.1	1	1	AXLE FOR VICTORIA-PARANA'		0	0	0
007	3.004.0044	2.5	9	2	FLAT WASHER 22 X 60		0	0	0
008	3.006.0004	11.6	2	2	WHEEL D.250x55 HOLE 20		0	0	0
009	3.099.0019	11.6	2	2	BLOCK WHEEL D.250x55 D.20		0	0	0
010	3.099.0036	11.6	2	2	HUB COVER FOR COVER D.250X55 BLACK		0	0	0
011	3.099.0156	1.25	18	2	CLIP FOR SCREW		0	0	0
012	3.004.0026	1.25	18	2	WASHER D.4,3X12 UNI 6593 ZNT		0	0	0
013	3.002.0106	1.25	18	2	SCREW TC-TC 3.9X16 UNI 6954ZNT		0	0	0
014	5.009.0431	27.9	1	1	WIRING PARTN. 3X1,5 PVC MT 5 SCHUKO PLUG		0	0	0
015	4.618.0049	60.1	1	1	HOSE 1/4 R1 210BAR L=8000 3/8"F		0	0	0
016	6.001.0053	27	1	1	HP SPRAY GUN S'02 3/8'	6.001.0071	30.16	1	0
017	3.701.0015	25.9	1	1	LANCE L.700 +PL4/1+WASHER+ QUICK CONN.M22 41102850		0	0	0
018	3.103.0049	13.2	2	1	HIGH PRESSURE NOZZLE 15040 1/8M (C25040)		0	0	0
020	5.009.0340	11.05	2	1	QUICK COUPLING ASSY +GASKET+RING NUT		0	0	0



LAVORWASH
SERVICE

PARTS LIST

Code R50010455-1
Description MOTOR

Start Date 11/3/2003
End Date 1/1/3000
Table E50010012-02

Pos.	Code	Price	Q.ty per pck.	Qty.	Description	Alternative	Price	C	P
001	5.009.0538	11.7	2	1	SWITCH ASSY + PROTECTION COVER14 (14)		0	0	0
002	3.406.0004	1.25	18	1	CABLE TERMINAL PG.11		0	0	0
004	3.002.0135	1.25	18	2	SELF-TAPPING CROSS HEAD SCREW2,9X13 UNI 6954 ZNT		0	0	0
005	3.404.0016	10.85	2	1	CAPACITOR 45 mF 450V D.45X90 WITHOUT CABLE FASTON M		0	0	0
007	4.008.0583	11.85	2	1	MOTOR FAN COVER '96 WITHOUT GRILL		0	0	0
008	3.099.0049	11.6	2	1	LOCKING RING D.23 FAN FB80		0	0	0
009	4.008.0714	2.5	12	1	PARTNER FAN H20		0	0	0
010	5.002.0121	166.02	1	1	FRAME '96 D125 H110 230/50 2P2800W	5.002.0127	140.32	1	0
011	3.001.0020	11.6	2	1	RADIAL FOR POSTERIOR FLANGE 17X40X12 6203 2RS		0	0	0
012	5.005.0029	77.85	1	1	ROTOR SHAFT 125'96 TAPERED H.110 230/50		0	0	0
013	3.002.0115	1.25	18	3	SCREW TC M5X35 SWAGEFORM ZNT		0	0	0
014	4.005.0183	25	1	1	FRONT FLANGE MOTOR D.125 H.110FOR PARTNER	5.009.0395	37.5	1	0
015	3.201.0001	1.25	18	1	OIL SEAL 20/35/6/6,5 BABSL		0	0	0
016	3.001.0002	11.6	2	1	BALL OBLIQUE		0	0	0
017	4.005.0054	20.8	1	1	INCLINED PLATE 9.95 11,35' SEP.01	4.005.0007	6.25	4	0
018	3.001.0003	2.5	9	1	DISK AS 4565		0	0	0
019	3.001.0025	2.65	8	1	NEEDLE-ROLLER CAGE		0	0	0
020	4.007.0001	1.25	1000	1	THRUST SHOE D.65 (C10Pb) FINISHED		0	0	0
021	5.009.0466	20	2	3	TURNED LOCK ASSY/CERAMIC PISTON D.12	6.005.0144	40.55	1	0
022	3.200.0014	1.25	18	1	O-RING GASKET 85X2,5 NITRILIC		0	0	0



PARTS LIST

Code R50010455-1
Description MOTOR

Start Date 11/3/2003
End Date 1/1/3000
Table E50010012-02

Pos.	Code	Price	Q.ty per pck.	Qty.	Description	Alternative	Price	C	P
023	4.007.0283	1	20	3	RECALL PISTON SPRING	4.007.0025	1.25	1	0
024	5.009.0516	22.1	1	1	MICRO ASSY+CABLE TS MACH USA/EU		0	0	0
025	4.006.0270	7.95	3	1	TS COUPLING		0	0	0
026	4.006.0269	11.85	2	1	BRASS SPACER FOR SPRING		0	0	0
027	4.007.0284	6	4	1	RECALL SPRING FOR ROD		0	0	0
028	3.200.0073	1.25	18	1	OR GASKET	3.200.0021	1.25	1	0
029	4.008.0782	6	4	1	CONTROL ROD FOR MICRO		0	0	0
030	4.007.0305	1.25	18	1	SCREW M3M25 A2-70		0	0	0
031	4.006.0272	7.95	3	1	SEAL SEAT WITH SPACER		0	0	0
032	3.200.0113	1.25	18	1	OR GASKET OR 15.08X2.62		0	0	0
033	4.007.0285	11.85	2	1	SPRING		0	0	0
034	4.006.0268	1.25	18	1	BRASS PISTON D.11		0	0	0
035	3.200.0059	1.25	18	1	O-RING 7.66 X1.78		0	0	0
036	4.608.0153	4.72	5	1	ANTIEXTRUSION O-RING D.8X11X1.5 (FOR 2031 O-RING)	4.608.0326	3	7	0
037	4.006.0273	10.59	3	1	PISTON SEAT AND VALVE	4.006.0342	5.4	4	0
038	3.200.0118	1.25	18	1	OR GASKET 14X1.78 NBR SH.90		0	0	0
039	3.200.0029	1.25	18	1	O-RING 18,72X2,62		0	0	0
042	5.009.0503	7.45	3	1	RUBBER HOLDER WITH DET. SUCTION M10 WITH ORING		0	0	0
044	3.005.0001	1.25	18	1	BALL INOX 420 DIAM.5 DEGREE OFACCURACY G 500		0	0	0
045	4.007.0014	1.25	18	1	DETERG.STOP VALVE SPRING 4X8 ESP.3		0	0	0
046	4.005.0217	36.85	1	1	BODY GUIDE D.12 COMPLETE VALVE'02 S/REG.ING.WATER M20		0	0	0
048	5.609.0041	11.5	2	1	NON RETURN VALVE + OR ASSEMBLY		0	0	0
049	4.607.0105	1	25	1	STOP VALVE SPRING D.6X20	4.007.0324	1.25	1	0
051	5.009.0497	5.9	4	1	INJECTOR ASSY D.1,9 +OR		0	0	0
052	3.200.0017	1.25	18	1	O-RING GASKET 9,13X2,62 REF.109		0	0	0
053	3.200.0013	1.25	18	3	O-RING 11,1X1,78		0	0	0
054	3.201.0014	4.25	5	3	OIL SEAL RING D.12X20X5/7		0	0	0
055	3.002.0094	1.25	18	2	SCREW TCEI M6X30 ZNT		0	0	0
056	5.009.0101	5.35	4	2	CAP VALVE SUCTION DELIVERY-ORMOUNTED		0	0	0
057	5.009.0005	7.45	3	3	DELIVERY SUCTION VALVE LAVOR 1		0	0	0
058	3.200.0019	1.25	18	3	O-RING 12.4X1.78 SH.90		0	0	0
059	3.107.0006	24.6	1	1	D.40 0/300 BAR 1/8 GLYCERIN MANOMETER		0	0	0
062	3.200.0018	1.25	18	1	OR-RING GASKET 9.92X2.62 SHORE90		0	0	0
064	4.008.0657	1.25	18	3	OIL SPACER D.12		0	0	0
065	4.006.0251	8	3	3	PIECE FOR SUPPORT PARTNER D.12		0	0	0
066	4.008.0695	1.25	18	3	ANTI-EXTRUSION RING FOR PARTNER D.12		0	0	0
067	3.201.0021	4.75	5	3	WATER SEAL O-RING 12X18X4,5		0	0	0
068	5.009.0015	4.45	5	3	COMPLETE SUCTION VALVE		0	0	0
069	4.006.0256	79.15	1	1	BRASS PARTNER HEAD D.18		0	0	0
070	3.002.0130	1.25	18	4	HEXAGON SOCKET HEAD CAP SCREWM6X70 CL.12,9 UNI5931		0	0	0
071	4.008.0031	1.25	18	1	INLET WATER FILTER H2O D.16 CONICAL		0	0	0
082	5.006.0156	262	1	1	99 MOTOR D. 125 H110 230/50		0	0	0
083	5.007.0166	137.71	1	1	PISTON BODY GUIDE D.12 +IN.1,9S/REX. TS ING.M20 CER		0	0	0

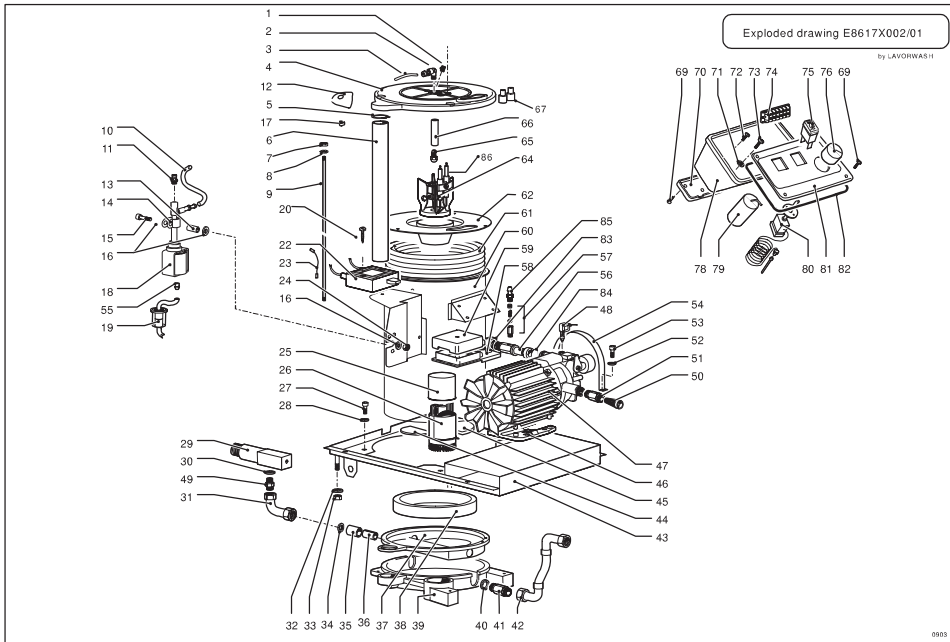


PARTS LIST

Code R50010455-1
Description MOTOR

Start Date 11/3/2003
End Date 1/1/3000
Table E50010012-02

Pos.	Code	Price	Q.ty per pck.	Qty.	Description	Alternative	Price	C	P
084	5.008.0173	134.1	1	1	BRASS PARTNER HEAD D.12		0	0	0
087	3.406.0011	1.25	18	1	BUSHING FOR PG.11 CABLE TERMINAL		0	0	0
088	5.009.0315	2.5	14	1	CAP FOR VALVE 1/8 INL./OUTL. WITH OR		0	0	0
089	3.100.0025	5.95	4	1	ELBOW 1/8 M-1/8 F		0	0	0



PARTS LIST

Code R8617X001-3
Description PARANA' 230/50 BASE DA FINIRE

Start Date 11/3/2003
End Date 1/1/3000
Table E8617X002-01

Pos.	Code	Price	Q.ty per pck.	Qty.	Description	Alternative	Price	C	P
001	3.002.0159	1.25	18	1	SCREW M6X6		0	0	0
002	3.100.0075	11.85	2	1	CONIC CONNECTION M 1/8 F D.4 CURVED FOR GASOIL HOSE VITON		0	0	0
003	4.608.0145	1.25	20	1	RILSAN GASOIL HOSE X PARANA' L=500		0	0	0
004	4.005.0194	62.8	1	1	CAP FOR BOILER FKX		0	0	0
005	3.099.0124	1.25	18	1	RING LOCKER X SHAFT D.42 UNI 7435		0	0	0
006	4.607.0236	9.75	3	1	HOSE D40 L=410		0	0	0
007	3.003.0011	1.25	18	3	NUT M6 UNI 5588		0	0	0
008	3.004.0010	1.25	18	3	WASHER D6X11 Sp0,7 DIN6798A ZNT		0	0	0
009	4.607.0238	5.15	5	3	ROD FOR BOILER		0	0	0
010	4.008.0465	1.25	25	2	PVC PIPE		0	0	0
011	3.100.0057	5.65	4	1	CONNECTION D.4X1/8" M VITON O-RING		0	0	0
012	4.008.0748	6.8	4	1	BOILER LOCKING CAP FOR FKX REGULATION		0	0	0
013	4.007.0185	3	7	1	SPACER FOR FIXING CLAMP		0	0	0
014	3.099.0452	3.86	6	1	WRAPPER D.20 CLAMP 20 W2	3.099.0110	1.25	1	1
015	3.002.0085	1.25	18	1	SCREW M6X40 UNI 5739		0	0	0
016	3.004.0001	1.25	18	2	WASHER D.6X11		0	0	0
017	4.008.0749	6.8	4	1	AIR REGULATION THROTTLE FOR FKX		0	0	0
018	3.551.0023	98.5	1	1	DIESEL PUMP V.P. E153823 230 /50 CABLES L=400mm W/BY-PASS	6.005.0155	115.9	1	1
019	5.011.0058	7.95	3	1	GAS OIL FILTER ASSY	5.611.0043	11.85	2	2
020	3.002.0048	2.5	16	2	AUTOTHREAD. SCREW TC-TC 3,9X38UNI 6954		0	0	0
021	3.004.0002	1.25	18	2	WASHER 4.3X9		0	0	0
022	3.400.0027	55.6	1	1	TRANSFORMER 230-240/50-60	6.005.0157	86.9	1	1
023	4.012.0102	4.5	5	2	CABLE L=600 SEC.0,75 IEC227-3/1979		0	0	0
024	3.003.0005	1.25	18	1	SELF-LOCKING NUT M6 UNI7474		0	0	0
025	4.008.0470	1.25	20	1	FAN MOTOR COVER		0	0	0



PARTS LIST

Code R8617X001-3

Start Date 11/3/2003

Description PARANA' 230/50 BASE DA FINIRE

End Date 1/1/3000

Table E8617X002-01

Pos.	Code	Price	Q.ty per pck.	Qty.	Description	Alternative	Price	C	P
026	3.304.0005	62.4	1	1	BURNER MOTOR 230/50 C/W FAN, FLANGE, CABLES AND COVER		0	0	0
029	4.606.0115	31.33	1	1	THERMOSTAT BODY FOR PARANA'	4.606.0191	23.65	1	1
030	3.004.0036	1.25	18	2	COPPER WASHER 3/8 17X22 SP.1.5		0	0	0
031	3.100.0094	23.65	1	1	ANGLE CONNECTOR 3/8 -3/8		0	0	0
032	3.004.0007	1.25	18	4	WASHER 6X18 UNI 6593 ZNT		0	0	0
034	4.007.0200	1.25	25	1	WASHER20.2X26X3		0	0	0
035	4.007.0184	1.25	50	1	COUPLING PIPE FOR PARANA'		0	0	0
036	4.008.0449	1.25	35	1	THERMORESISTANT COUPLING BOW 17X23XL40		0	0	0
037	4.007.0158	51.85	1	1	BOILER PAD		0	0	0
038	4.008.0503	12	2	1	BAND IN CERAMIC FIBER		0	0	0
039	4.605.0042	82.2	1	1	BASE FOR PARANA' BOILER		0	0	0
041	4.607.0237	7.25	3	1	RUBBER HOSE COUPLING FOR COIL		0	0	0
042	4.618.0067	21.85	1	1	HOSE 5/16 R1 15DEG. 250 BAR 3/8 F ROT.-3/8 F ROT.		0	0	0
043	5.613.0154	90.1	1	1	MOTOPUMP-BOILER SUPPORT FOR PARANA'		0	0	0
044	4.008.0450	8.6	3	1	THERMORESISTANT PAD		0	0	0
045	4.008.0658	4.8	5	1	THERMORESISTANT FELT BOTTOM PLATE X FKX/PARANA'		0	0	0
046	4.008.0514	2.55	9	1	BLACK EAGLE FOOT FOR MOTOR- PUMP SUPPORT		0	0	0
047	5.001.0455	440.92	1	1	MOTORPUMP PT'02 125h110 230/50D.12 11'35 TS IN.1.9		0	0	0
048	3.704.0007	23.5	1	1	PRESSURE SWITCH PR5 25BAR 1/8ML.550	3.704.0006	29.55	1	1
049	3.100.0023	2.65	8	1	NIPPLE 3/8 CIL. SV. 3/8 CIL.SV		0	0	0
050	4.008.0031	1.25	18	1	INLET WATER FILTER H2O D.16 CONICAL		0	0	0
051	4.006.0181	20.41	2	1	WATER INLET SPACER	5.009.0611	11.05	2	2
053	3.002.0138	1.25	18	2	SCREW TCEI M6X20 ZNT UNI 5931		0	0	0
054	4.007.0287	6.2	4	1	FIXING CLAMP		0	0	0
056	4.007.0307	20.8	1	1	JUNCTION	6.005.0319	23.2	1	1
057	3.106.0004	26	1	1	SECURITY VALVE G1/8 M D6 200BAR MTM 00036021	5.609.0260	19.3	2	2
058	4.608.0141	1.25	40	1	ELECTRICAL BOX BASE FOR MOTOPUMP		0	0	0
059	4.608.0140	4.3	5	1	ELECTRICAL BOX COVER FOR MOTOPUMP		0	0	0
060	5.613.0155	85.28	1	1	BOILER BODY FOR PARANA'	5.613.0188	58.65	1	1
061	4.604.0017	303.09	1	1	COIL D.202 FOR PARANA'	4.604.0031	229.45	1	1
062	5.013.0027	61.15	1	1	DISK HEAD HOLDER		0	0	0
063	4.012.0177	8.85	3	1	CABLE AND EYELET		0	0	0
064	3.099.0297	36.99	1	1	COMPLETE DEFLECTOR	6.005.0308	42.85	1	1
065	3.104.0007	23.2	1	1	DIESEL FUEL NOZZLE 0.75 60/A		0	0	0
066	4.006.0187	4.1	6	1	NOZZLE HOLDER PIN		0	0	0
068	5.611.0101	15.8	2	2	CABLE		0	0	0
070	4.608.0071	5.1	5	1	GUIDING CABLE COVER DASHBOARD '93		0	0	0
071	3.004.0017	1.25	18	4	WASHER D.5X10		0	0	0
072	3.002.0110	1.25	18	2	SCREW 3,9X19		0	0	0
073	3.002.0176	1.25	18	4	SCREW M5X16 7985		0	0	0
074	3.405.0011	8.2	3	1	TERMINAL BOARD PA 32/6		0	0	0
075	5.009.0538	11.7	2	2	SWITCH ASSY + PROTECTION COVER14 (14)		0	0	0
076	4.608.0019	8.25	3	1	BLACK THERMOSTATE KNOB 3079/1		0	0	0

PARTS LIST

Code R8617X001-3 Start Date 11/3/2003
 Description PARANA' 230/50 BASE DA FINIRE End Date 1/1/3000
 Table E8617X002-01

Pos.	Code	Price	Q.ty per pck.	Qty.	Description	Alternative	Price	C	P
078	4.608.0065	23.65	1	1	BOX DASHBOARD '93		0	0	0
079	3.404.0016	10.85	2	1	CAPACITOR 45 mF 450V D.45X90 WITHOUT CABLE FASTON M		0	0	0
080	3.403.0032	31.5	1	1	THERMOSTAT 30/90 FOR PARANA'		0	0	0
081	4.608.0120	5.4	4	1	ELECTRICAL BOX COVER		0	0	0
082	4.608.0078	2.5	13	1	GASKET		0	0	0
083	4.006.0283	2.5	10	1	FERRULE M22x1,5 L=16.		0	0	0
084	3.200.0001	1.25	18	1	O-RING GASKET 9,92X2,62 RIF.112		0	0	0
085	4.606.0088	2.5	13	1	RUBBER HOLDER 1/4 G M D.7		0	0	0