

LAVORWASH SERVICE

PARTS LIST

Code R8628I001-1
Description BOILER

Start Date 17/9/2010
End Date 1/1/3000
Table E8628I001-01

Pos.	Code	Price	Q.ty per pck.	Qty.	Description	Alternative	Price	G	p
001	5.609.0126	114.64	1	1	TRANSFORMER		0	0	0
002	4.608.0271	1.72	20	1	RUBBER SEAL FOR TRANSFORMER A.T.		0	0	0
003	4.614.0004	24.55	1	1	STANDARDIZED ELECTRODES COUPLEWITH ROD		0	0	0
004	3.100.0075	10	2	1	CONIC CONNECTION M 1/8 F D.4 CURVED FOR GASOIL HOSE VITON		0	0	0
005	3.099.0015	1	20	1	RING SEEGER I D.21 SP1,2		0	0	0
006	4.608.0002	20	1	1	SITE GLASS DIAM.20 SP.1,8		0	0	0
007	4.605.0045	20	1	1	WROUGHT BURNER FLANGE		0	0	0
008	3.104.0007	20	1	1	GASOIL 0.75 60/A		0	0	0
009	5.611.0175	0	1	1	COMPLETE BURNER FLANGE		0	0	0
010	5.613.0200	26.78	1	1	EXTERNAL COVER FOR INOX BOILER(TEKNA4)		0	0	0
011	5.610.0104	20	1	1	DEFLECTOR		0	0	0
012	5.611.0107	43.71	1	1	EXTERNAL COVER FOR BOILER WITH3mm OF THICKNESS		0	0	0
013	5.613.0056	80.55	1	1	INSIDE COVER FOR BOILER (FIREPLACE L=149)		0	0	0
014	3.099.0719	20	1	1	BAND TO FIXE BOILER COVER		0	0	0
015	4.608.0210	20	1	1	INLET HOSE DIESEL RILSAN		0	0	0
016	5.613.0181	97.23	1	1	SUPPORT PLATE FOR DASHBOARD AND TANK.		0	0	0

PARTS LIST

Code R8628I001-1

Start Date 17/9/2010

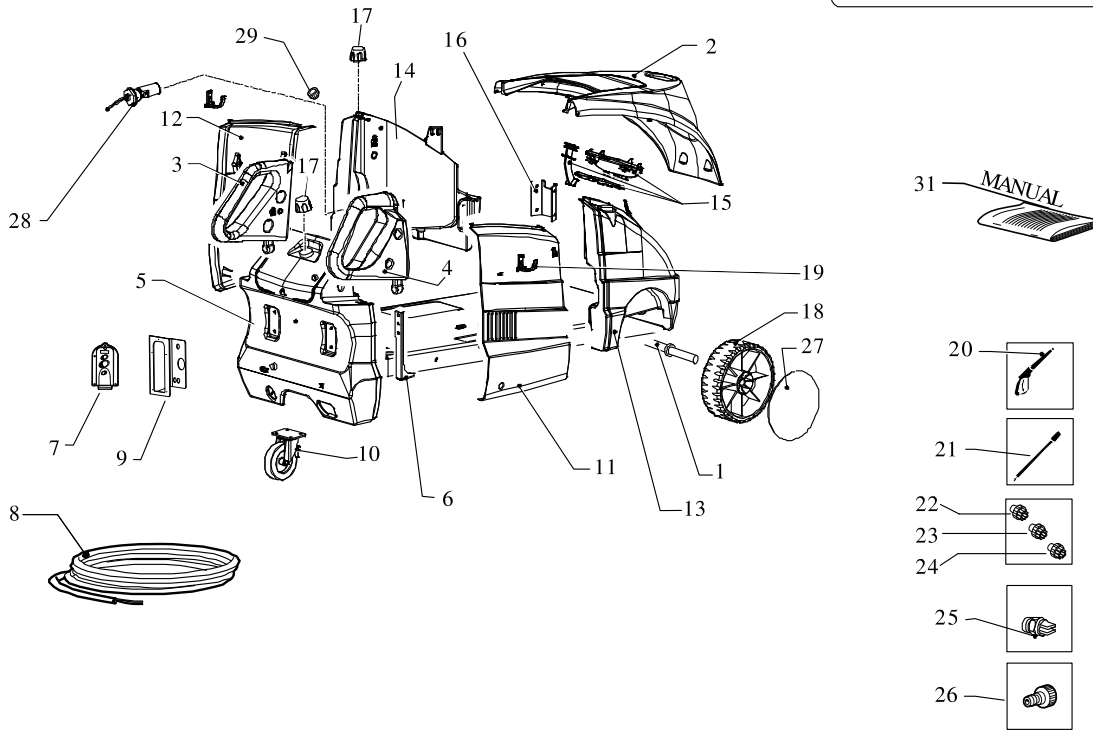
Description BOILER

End Date 1/1/3000

Table E8628I001-01

Pos.	Code	Price	Q.ty per pck.	Qty.	Description	Alternative	Price	Q
017	5.613.0305	1150	1	1	STEAM COIL		0	0
018	4.606.0161	6.49	4	1	G3/8 CAP ESP.00		0	0
019	3.106.0025	88	1	1	SAFETY VALVE G 3/8 12BAR		0	0
020	3.100.0397	0	2	1	RUBBER HOLDER 3/8 G M D.14 NICKEL-PLATED		0	0
021	3.403.0202	0	1	2	LEVEL PROBE FOR BOILER L=10		0	0
022	5.613.0307	0	1	1	EXTERNAL WRAP FOR COMPLETE BOILER KOLUMBO		0	0
023	5.613.0308	0	1	1	INTERNAL WRAP FOR COMPLETE BOILER KOLUMBO		0	0
024	4.608.0202	36.67	1	1	REFRACTORY D.296x20 TEKNA4		0	0
025	4.608.0218	20	1	1	BOILER SPACER		0	0
026	3.004.0015	1	20	2	WASHER D.22X39 UNI 6592 ZNT		0	0
027	4.606.0013	20	1	2	COIL FIXING NUT 1/2 BRASS SPEC.		0	0
028	4.407.0017	43.69	1	1	PTFE/ST.STEEL PIPE DN.1/4 x700MF 1/4 (3035090)		0	0
029	4.407.0151	0	1	1	PTFE/ST.STEEL PIPE DN.1/4 x600FF 1/4		0	0

LAVOR E8628C001/01



LAVORWASH
SERVICE

PARTS LIST

Code R86280002-2
Description CHASSIS

Start Date 13/4/2011
End Date 1/1/3000
Table E8628C001-01

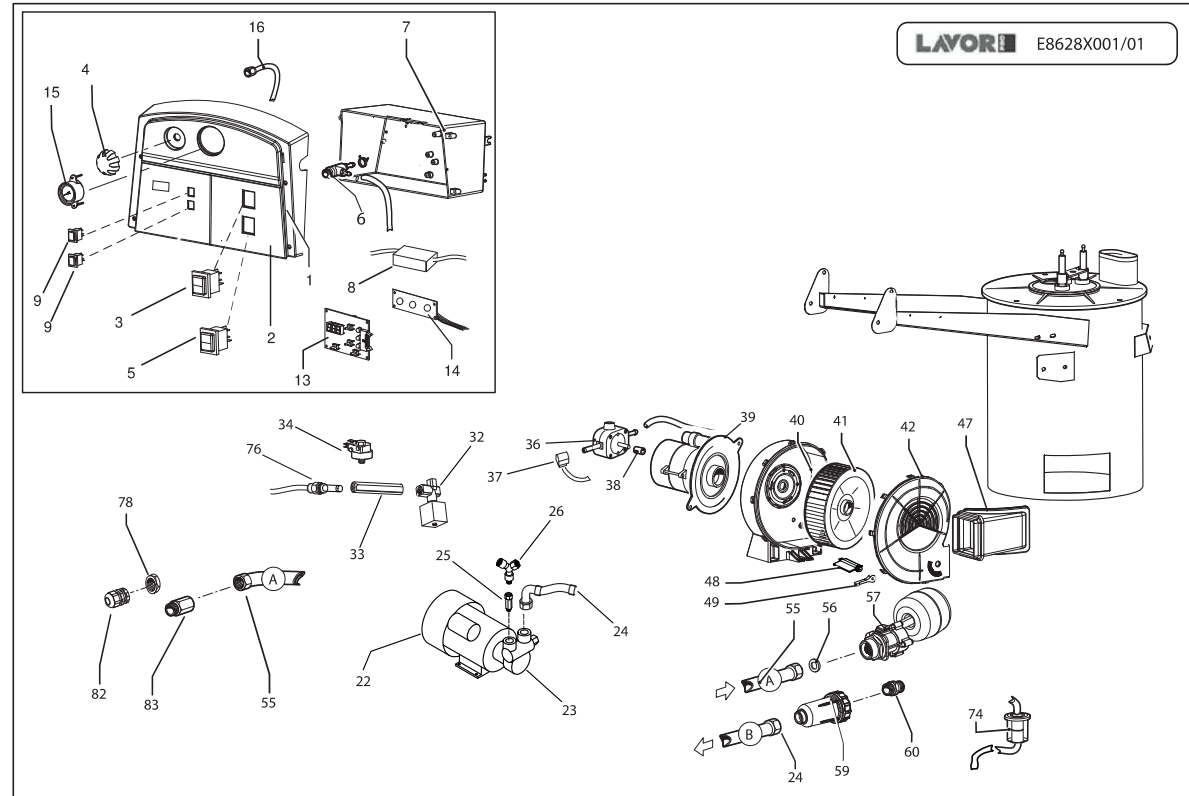
Pos.	Code	Price	Q.ty per pck.	Qty.	Description	Alternative	Price	G	p
001	5.613.0269	131.78	1	1	TEKNA '04 PAINTED FRAME ESP.00C.W.ENGINE		0	0	0
002	4.613.0177	60	1	1	TEKNA4 COVER		0	0	0
003	4.608.0170	31.23	1	1	LEFT HANDLE		0	0	0
004	4.608.0169	25.26	1	1	RIGHT HANDLE		0	0	0
005	4.608.0171	232.85	1	1	WATER TANK FOR TEKNA4		0	0	0
006	4.607.0620	0	3	2	SUPPORT BRACKET FOR SOCKET		0	0	0
007	5.409.0245	0	1	1	COMPLETE STEAM SOCKET		0	0	0
008	4.012.0150	20	1	1	CABLE H05VV-F 3X1.5 MT.5.2 F/FSCHUKO PLUG ESP.00		0	0	0
009	4.607.0617	0	5	1	LEFT BRACKET FOR STEAM PLUG		0	0	0
010	3.006.0070	55.81	1	1	CASTOR WHEEL D.150X40		0	0	0
011	5.611.0150	38.87	1	1	RIGHT SIDE		0	0	0
012	5.611.0149	35	1	1	LEFT SIDE		0	0	0
013	4.608.0172	100	1	1	RIGHT TANK		0	0	0
014	4.608.0173	100	1	1	LEFT TANK		0	0	0
015	5.611.0108	20	1	1	HINGE COVER		0	0	0
016	4.607.0270	20	1	1	TANK HANGER		0	0	0

PARTS LIST

Code R86280002-2
Description CHASSIS

Start Date 13/4/2011
End Date 1/1/3000
Table E8628C001-01

Pos.	Code	Price	Q.ty per pck.	Qty.	Description	Alternative	Price	Q
017	4.608.0180	10	2	3	TANK CAP		0	0
018	3.006.0063	30.7	1	2	BLACK WHEEL HOLE D.25		0	0
019	6.605.0087	20	1	1	KIT N.3 HOOKS WITH SCREWS		0	0
020	6.402.0087	660	1	1	COMPLETE STEAM GUN '09 GV VESUVIO 6 MT.		0	0
021	6.402.0082	55	1	1	INCLINED LANCE L=202 WITHOUT NOZZLE		0	0
022	6.402.0045	10	2	1	NYLON BRISTLE BRUSH D.30		0	0
023	6.402.0048	10	2	1	BRASS BRISTLE BRUSH D.30		0	0
024	6.402.0047	10	2	1	S/S BRISTLE BRUSH D.30		0	0
025	4.407.0079	20	1	1	NOZZLE 1/8 D.3,75 INOX FOR GV30		0	0
027	3.099.0717	10	2	2	PAINTED WHEEL COVER SILVER		0	0
028	3.403.0110	56.67	1	2	SENSOR FOR GAS-OIL LEVEL P520N+ CONNECTOR SUM.		0	0
029	3.002.0532	1.72	20	2	KNOB		0	0
031	7.700.0359	0	1	1	INSTRUCTION MANUAL		0	0



LAVORWASH

SERVICE

PARTS LIST

Code R8628X002-1
Description COMPONENTS

Start Date 17/9/2010
End Date 1/1/3000
Table E8628X001-01

Pos.	Code	Price	Q.ty per pck.	Qty.	Description	Alternative	Price	G	p
001	4.608.0370	0	2	1	DASHBOARD FOR KOLUMBO		0	0	0
002	7.701.2320	0	1	1	STICKER FOR KOLUMBO DASHBOARD164X60 3C		0	0	0
003	3.401.0177	10	2	1	SWITCH		0	0	0
004	3.099.0960	20	1	1	STEAM ADJUSTMENT KNOB (1 600360)		0	0	0
005	3.401.0178	10	2	1	SWITCH 0/1 BLACK BOTTON IP55 12/10		0	0	0
006	5.409.0168	31.99	1	1	STEAM REGULATOR 1/4 F-F		0	0	0
007	4.608.0168	17.77	2	1	ELECTRIC BOX NPX4/LKX4		0	0	0
008	3.499.0453	80	1	1	FEEDER 230V - 12V DC 1.5°		0	0	0
009	3.401.0037	4.31	6	2	THERMIC058446 BLACK SWITCH		0	0	0
013	4.415.0020	264	1	1	CIRCUIT BOARD FOR BOILER		0	0	0
014	4.415.0021	40	1	1	SMALL CIRCUIT BOARD (TEMPERATURE INDICATOR DISPLAY)		0	0	0
015	3.107.0024	76	1	1	STEAM GAUGE D.50 0/16 BAR 1/4M		0	0	0
016	4.407.0017	43.69	1	1	PTFE/ST.STEEL PIPE DN.1/4 x700MF 1/4 (3035090)		0	0	0
022	3.755.0052	153	1	1	WATER PUMP MOTOR 230V - 50/60HZ 300W		0	0	0
023	3.752.0166	184.7	1	1	WATER PUMP 3/8G 100 l/h 15BAR		0	0	0
024	4.618.0161	0	1	1	LOW PRESSURE HOSE G3/4 90° - G3/4 90° L=310		0	0	0

PARTS LIST

Code R8628X002-1
Description COMPONENTS

Start Date 17/9/2010
End Date 1/1/3000
Table E8628X001-01

Pos.	Code	Price	Q.ty per pck.	Qty.	Description	Alternative	Price	Q	P
025	3.106.0016	20	1	1	CHECK VALVE 1/4FF WITH SPRING(3020009)		0	0	0
026	3.100.0209	8.39	3	3	Y CONNECTION 1/4 MFF (3026261)		0	0	0
032	3.412.0019	124.8	1	1	SOLENOID VALVE D.8 - 3/8 220V50/60Hz		0	0	0
033	4.406.0060	0	4	1	BRASS CONNECTION FOR THERMOCOUPLE PROBE		0	0	0
034	3.403.0123	52.46	1	1	MANOSTAT 9 BAR 1/4G		0	0	0
036	3.551.0037	80.89	1	1	GAS.PUMP DOUBLE HOSES RX 230/50('06 VERS)BFA013L2 071N1221		0	0	0
037	3.414.0010	40.24	1	1	COIL 230/50Hz X DIESEL PUMP DANFOSS		0	0	0
038	3.099.0012	10	2	1	GAS OIL PUMP PLASTIC COUPLING410050		0	0	0
039	3.300.0023	110.86	1	1	BURNER MOTOR W/OUT FLANGE		0	0	0
040	4.608.0186	22.4	1	1	BOILER MOTOR CONVEYOR		0	0	0
041	3.099.0722	20	1	1	FAN 160X60		0	0	0
042	4.608.0181	20	1	1	CONVEYOR COVER		0	0	0
047	4.608.0183	21.63	1	1	GASKET		0	0	0
048	4.608.0021	20	1	1	SETTING THROTTLE GMV 150		0	0	0
049	4.608.0022	20	1	1	SETTING THROTTLE LEVER GMV 150		0	0	0
055	4.618.0092	29.23	1	1	HOSE L/P 3/4G-3/4G		0	0	0
056	3.004.0032	1	20	1	RUBBER WASHER		0	0	0
057	3.749.0458	31.82	1	1	VALVE 3/4M 29015008		0	0	0
059	3.102.0011	8	3	1	WATER FILTER 3/4F-3/4M 80 microns		0	0	0
060	3.100.0090	20	1	1	NIPPLE 3/4 -3/4		0	0	0
074	5.611.0136	12.62	2	1	TEKNA 4 GAS OIL FILTER		0	0	0
076	3.499.0201	100.36	1	1	THERMOCOUPLE PT100 L=1000mm		0	0	0
078	3.406.0023	1	20	1	FIXING NUT FOR CABLE HOLDER		0	0	0
082	3.406.0022	20	1	1	CABLE HOLDER		0	0	0
083	4.606.0134	20	1	1	INLET COUPLING		0	0	0