

# LISTA RICAMBI

CODICE: 8.654.0012

REV.: 1

DESCRIZIONE: IDRO COLUMBIA 1211LP 220/60 -GR- LWS

DATA INIZIO VAL.: 10/17/2007

DATA FINE VAL.: 01/01/3000

CODICE GRUPPO: R56010386

REV.: 2

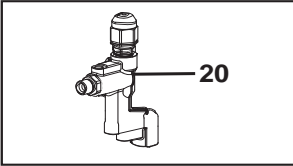
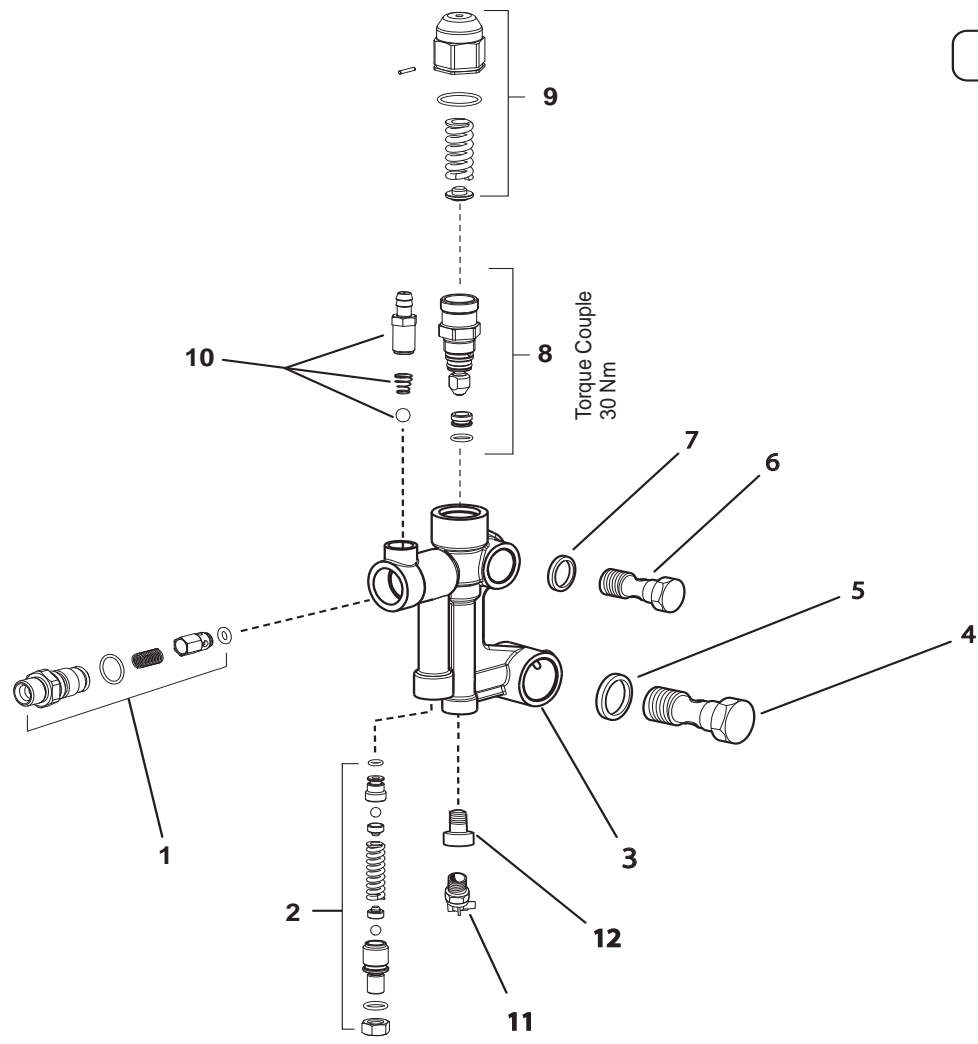
DESCRIZIONE: MOTORPUMP

DATA INIZIO VAL.: 12/10/2012

DATA FINE VAL.: 01/01/3000

N. TAVOLA: E56010027/07

CODICE:	DESCRIZIONE:	QTA':	POS:	ORD	EXTR.
5.601.0386	MOTORPUMP	1	01		
5.606.0132	MOTOR	1	02		
3.099.0805	RING 61x51x0,4 H.3,5	1	03		
3.001.0066	RADIAL SPHERE BEARING 6305 2RS KBC (25x62x17)	1	04		
3.001.0009	BEARING 6007-2Z	1	05		
4.605.0070	CABLEHOLDER M22	1	06		
4.605.0072	MOTOR FRONT FLANGE D.152 X PUM P D.61	1	09		
5.699.0025	PUMP LW 200/11	1	12		



# LISTA RICAMBI

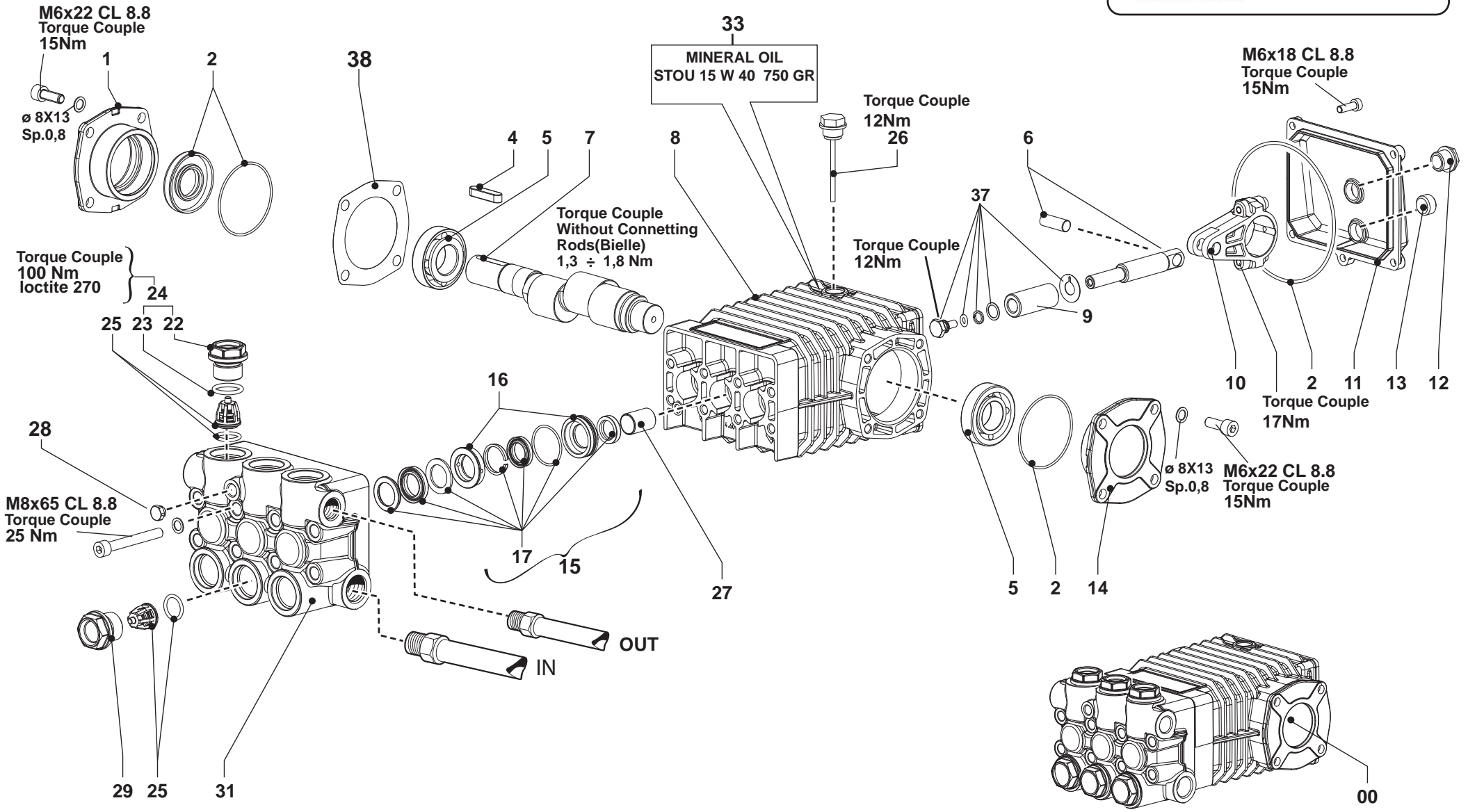
CODICE: 8.654.0012      REV.: 1      DESCRIZIONE: IDRO COLUMBIA 1211LP 220/60 -GR- LWS

DATA INIZIO VAL.: 10/17/2007      DATA FINE VAL.: 01/01/3000

CODICE GRUPPO: R56090190      REV.: 1      DESCRIZIONE: VALVE

DATA INIZIO VAL.: 07/09/2007      DATA FINE VAL.: 01/01/3000      N. TAVOLA: E56090003/01

CODICE:	DESCRIZIONE:	QTA':	POS:	ORD	EXTR.
6.005.0219	KIT 202 LW 2.1 INJ.-NO RETURN VALVE-RUBBER HOLDER LWS 18	1	01		X
6.005.0200	KIT 186 MAX PRESSURE VALVE	1	02		
4.606.0192	BODY VALVE LAVOR L3 ESP.02	1	03		
4.607.0053	SUCTION HOLED CONNECTION 1/2	1	04		
3.004.0037	WASHER 1/2 21X27 SP.1.5	1	05		
4.607.0052	HOLED CONNECTION 3/8	1	06		
3.004.0036	COPPER WASHER 3/8 17X22 SP.1.5	1	07		
6.005.0121	KIT 112 LW COMPLETE BY-PASS LIN.PUMP BRASS HEAD'99 W/O T/S	1	08		X
6.005.0120	KIT 111 PRESSURE REGULATOR FOR BRASS HEAD	1	09		X
5.609.0154	HOSE HOLDER DETERGENT SUCTION KIT WITH OR AND SPRING wire D.0.4	1	10		
3.703.0016	THERMAL PROTECTION VALVE	1	11		X
3.100.0079	REDUCTION 1/4 F 1/8 M	1	12		



# LISTA RICAMBI

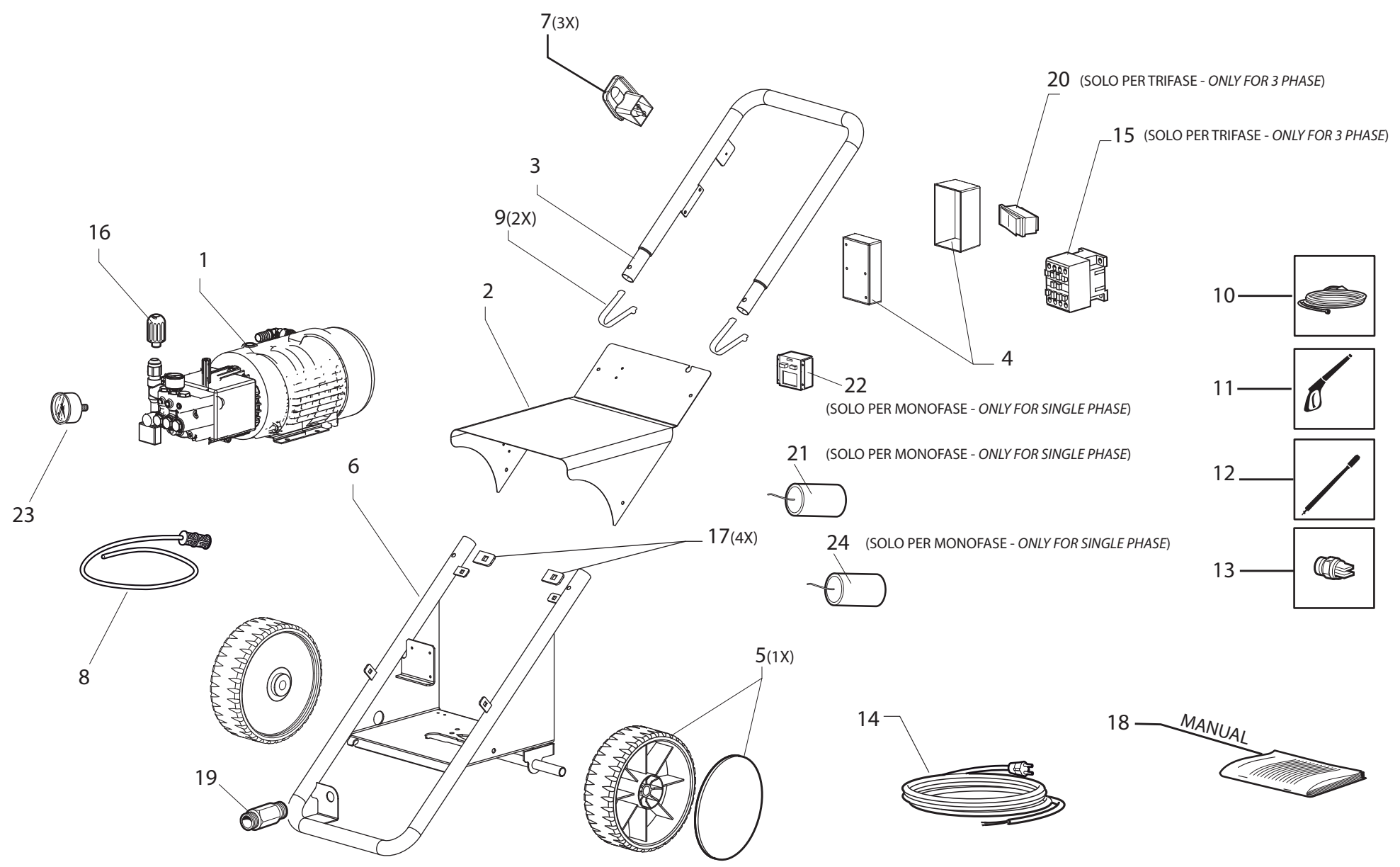
CODICE: 8.654.0012 REV.: 1 DESCRIZIONE: IDRO COLUMBIA 1211LP 220/60 -GR- LWS

DATA INIZIO VAL.: 10/17/2007 DATA FINE VAL.: 01/01/3000

CODICE GRUPPO: R56990025 REV.: 1 DESCRIZIONE: PUMP

DATA INIZIO VAL.: 05/14/2007 DATA FINE VAL.: 01/01/3000 N. TAVOLA: E56990002/01

CODICE:	DESCRIZIONE:	QTA':	POS:	ORD	EXTR.
5.699.0025	PUMP LW 200/11	1	00		
4.605.0059	BEARING FLANGE	1	01		
6.605.0050	O-RINGS KIT	1	02	X	
3.099.0510	FEATHER KEY 8X7X35 UNI 6604A	1	04		
6.605.0029	LWB BEARINGS KIT	1	05		X
6.605.0051	PLUNGER RODS LWB KIT	1	06		
6.605.0072	11 LITERS LWB SHAFT KIT	1	07		
4.605.0057	LWB CRANKCASE	1	08		
6.605.0025	LWB PISTONS D.20 KIT	1	09		X
5.609.0147	LWB COMPLETE CONNECTING ROD	1	10		
4.605.0058	LWB REAR CRANKCASE COVER ESP.0 0	1	11		
3.099.0003	OIL LEVEL INDICATOR SLNS-3/8 H OBBY	1	12		
3.002.0004	SCREW STEI 3/8 G.DIN 906 (OIL LOAD CAP)	1	13		
4.605.0060	BEARING FLANGE	1	14		
6.605.0041	WATER SEALS+BUSHES KIT	1	15		X
6.605.0048	LWB BUSHES KIT	1	16		X
6.605.0047	LWB WATER SEALS KIT	1	17	X	
4.606.0161	G3/8 CAP ESP.00	1	18		
4.606.0149	SUCTION/DELIVERY VALVE CAP LWB ESP.00	4	22		
3.200.0185	O-RING GASKET 20.29X2.62 NBR 90 SH	6	23		
6.605.0049	VALVE CAPS KIT	1	24		
6.605.0042	SUCTION/DELIVERY VALVES KIT LW B	1	25		X
3.099.0978	OIL CAP (L66 STICK) ESP.01	1	26		
6.605.0031	LWB PISTON BUSHES KIT	1	27		
4.606.0167	HOLED VALVE CAP 1/4 LWB	1	29		
4.606.0162	HEAD PUMP LAVOR LINE WITHOUT/ VALVE ESP.01	1	31		
3.699.0042	MULTITRACTOR STOU 15W40 OIL	1	33		
6.605.0034	PISTON SCREWS KIT LWB	1	37		X
6.605.0052	BEARING SPACER KIT LWB	1	38		



# LISTA RICAMBI

CODICE: 8.654.0012 REV.: 1 DESCRIZIONE: IDRO COLUMBIA 1211LP 220/60 -GR- LWS

DATA INIZIO VAL.: 10/17/2007 DATA FINE VAL.: 01/01/3000

CODICE GRUPPO: R86540012 REV.: 1 DESCRIZIONE: CHASSIS

DATA INIZIO VAL.: 10/17/2007 DATA FINE VAL.: 01/01/3000 N. TAVOLA: E8654C002/01

CODICE:	DESCRIZIONE:	QTA':	POS:	ORD	EXTR.
5.601.0386	MOTORPUMP	1	01		
4.607.0374	COVER FOR COLUMBIA -GREY - RAL7046	1	02		
5.613.0216	COLUMBIA HANDLE	1	03		
3.410.0018	G55 COMPLETE BOX FOR SWITCH -4006000001-	1	04		
6.605.0168	WHEELS+BLOCK+COVER KIT X LKX'4-NPX'4	1	05		
5.613.0215	PAINTED COLUMBIA FRAME	1	06		
4.608.0245	CABLE REEL INSERT	3	07		
5.012.0036	ASS.DETERGENT SUCTION FILTER HOSE MT.1+SPRING	1	08		
4.007.0277	SPRING HOSE HOLDER FOR HANDLE HW	2	09		
4.618.0143	HIGH PRESSURE HOSE 5/16 310BAR R L=10000 1/2 TWIST.-3/8	1	10		X
3.700.0036	GUN 29Mpa-140°C-21lt/min G3/8M - M22	1	11		X
3.701.0015	LANCE L.700 +PL4/1+WASHER+ QUICK CONN.M22 41102850	1	12		X
3.103.0055	HIGH PRESSURE NOZZLE 1/8"M 15070 (C25070)	1	13	X	
4.612.0037	CABLE H05PVC	1	14		
4.606.0206	REDUCED PRESSURE REGULATOR KNOB	1	16		
3.003.0074	NUT	4	17		
7.700.0246	INSTRUCTION MANUAL COLUMBIA/EXPLORER A5 12L	1	18		
4.606.0028	NIPPLE 1/2 M 3/4 M esp.03	1	19		
3.404.0036	CAPACITOR 80mF 450V D.50 CABLE L300 S/FASTON	1	21		X
3.401.0049	THERMAL SWITCH MS 25 10/16 AMP -4006111101-	1	22		X
3.107.0006	D.40 0/300 BAR 1/8 GLYCERIN MANOMETER	1	23		
3.404.0075	CAPACITOR XENON 450V 0-50mF 50/60Hz (50X120)	1	24		X