

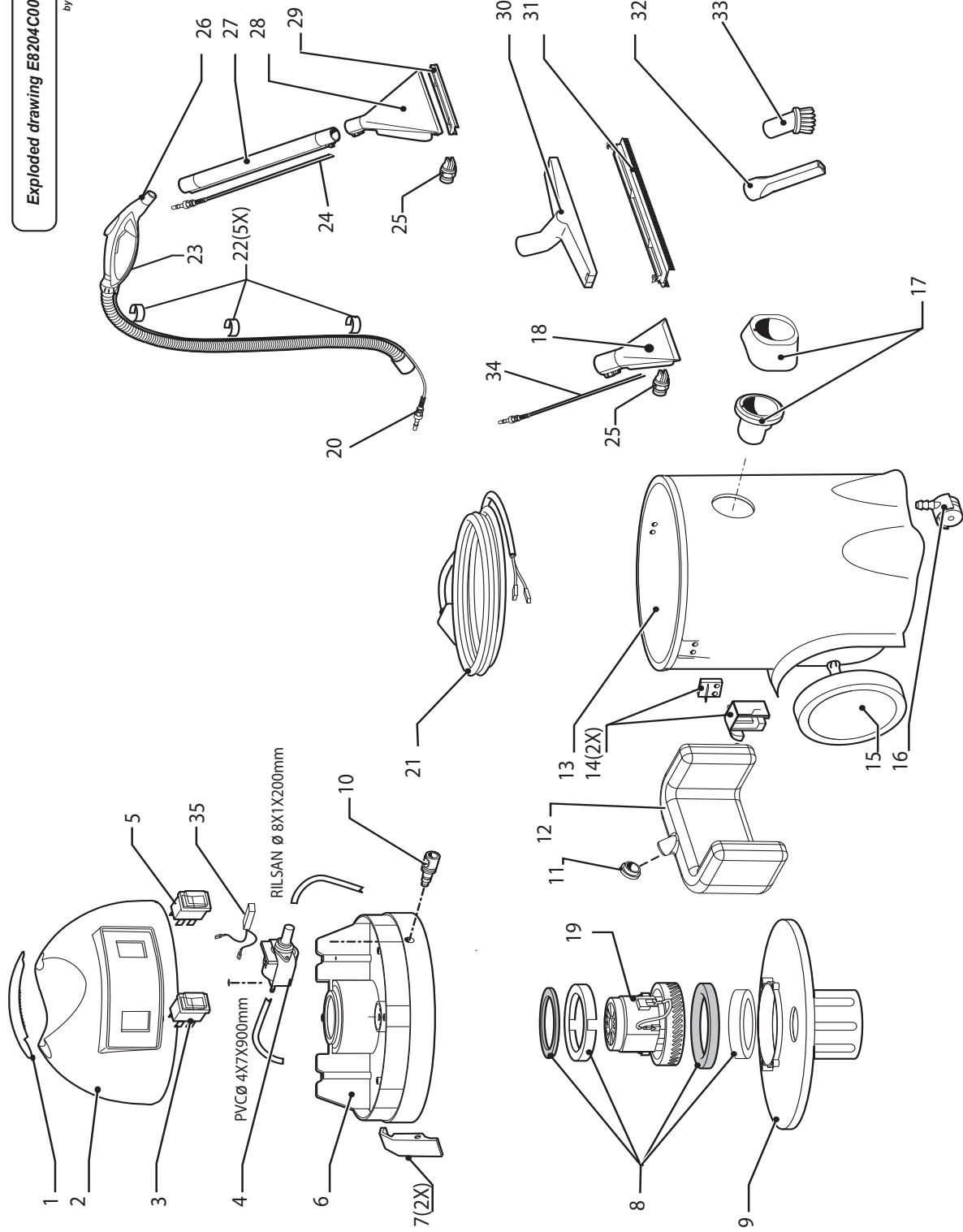


Parts

CODE	8.204.0059
DESCRIPTION	GBP 20 230/50 EU LWS
REVISION	18/2/2009
VALIDITÀ	WEEK 35 2012

Exploded drawing E8204C00701

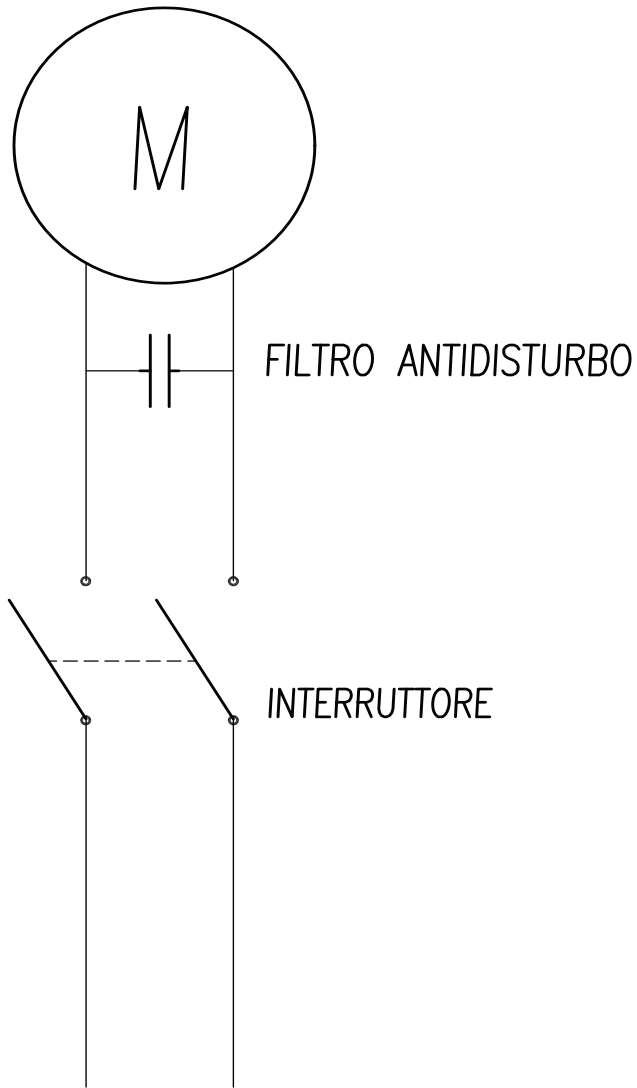
by LavorWash



Pos.	Code	Price	Q.ty per	Qty.	Description	Alternative	Price	Q.ty per	Description
001	4.208.0038	20.8	1	1	BLACK HANDLE FOR GB HEAD			0	
002	4.208.0333	10.12	3	1	HEAD GB 2 SWITCHES BLUE REFLEXC			0	
003	5.009.0213	10.4	2	1	SWITCH WITH PROTECTION 12(10)			0	
004	3.551.0032	32.61	1	1	ULKA DETERGENT PUMP 230-240/50			0	
005	5.009.0293	10.4	2	1	RED BACKLIGHTED SWITCH WITH PROTECTOR			0	
006	4.208.0335	20.8	1	1	CONVEYOR FOR GBP 20 LIGHTGREY			0	
007	4.208.0012	10.4	2	2	HOOK			0	
008	6.205.0073	20.8	1	1	SEAL KIT FOR HOBBY VACUUM CLEANERS			0	
009	5.211.0041	20.8	1	1	BLACK INFERIOR CAP			0	
010	3.752.0164	20.8	1	1	SOCKET PVPUPP40-PG6			0	
011	4.208.0334	20.8	1	1	CAP FOR DETERGENT TANK WITH HOLE D.6			0	
012	5.209.0091	32.61	1	1	ASSEMBLY WATER TANK GBP	5.209.0174	0	1	ASSEMBLY WATER TANK GBP
013	4.208.0332	24.74	1	1	GN 18 BODY BLUE REFLEX			0	
014	4.208.0238	1.04	20	2	GN HOOK PLATE			0	
015	4.208.0021	10.4	2	2	WHEEL			0	
016	3.754.0006	4.16	5	3	D.39 PIVOTTING TWINNING WHEELS			0	
017	6.205.0022	20.8	1	1	DEFLECTOR+NOZZLE KIT			0	
018	5.209.0094	39.36	1	1	ARMCHAIR NOZZLE			0	
019	3.755.X071	35.35	1	1	UNIVERSAL MOTOR	3.755.0098	35.35	1	UNIVERSAL MOTOR 230/50 1200W
020	4.208.0067	5.17	5	1	COUPLING WITH SWITCH X FLEX HOSE			0	
021	4.012.0091	7.7	4	1	CABLE H05VV-F 2X0,75 MT.4 SCHUKO PLUG			0	
022	6.205.0060	10.71	3	1	PIPE HOLDER CLIP KIT			0	
023	3.754.0045	58.28	1	1	DETERGENT HOSE WITH NOZZLE			0	
024	6.205.0061	7.82	3	1	KIT HOSE+NOZZLE ADAPTOR			0	
025	3.752.0165	20.8	1	2	SPRAYER NOZZLE			0	
026	5.211.0026	88.68	1	1	KIT FLEX HOSE 1,8 MT WITH CONNECTION	5.211.0038	92.56	1	KIT FLEX HOSE 2 MT. +5 CLIP
027	3.753.0072	5.2	4	2	EXTENSIONS HOSE MT.0.45 D.35 (SP.EC)			0	
028	5.209.0093	61.86	1	1	BIG NOZZLE L.E.			0	
029	5.211.0024	10.4	2	1	ACCESSORY FOR LIQUID WITH RUBBERS	5.211.0083	0	2	ACCESSORY FOR LIQUID WITH RUBBERS
030	3.754.0188	9.6	3	1	BODY FOR ACCESSORY POND CLEANER D.35			0	
031	3.754.0189	10.4	2	1	FLOOR BRISTLED TOOL			0	
032	3.754.0005	2.08	10	1	LANCE D.35 (SPIVAL 00100002)			0	
033	3.754.0015	2.6	10	1	PLASTIC BRUSH D.35			0	
034	6.205.0062	20.8	1	1	KIT FLEX HOSE+NOZZLE ADAPTOR			0	

8.204.0059	R82040059-1	VACUUM CLEANER
-------------------	--------------------	-----------------------

MOTORE ASPIRAPOLVERE



IN A.C.

INTERRUTTORE = SWITCH

FILTRO ANTIDISTURBO = FREQUENCY FILTER